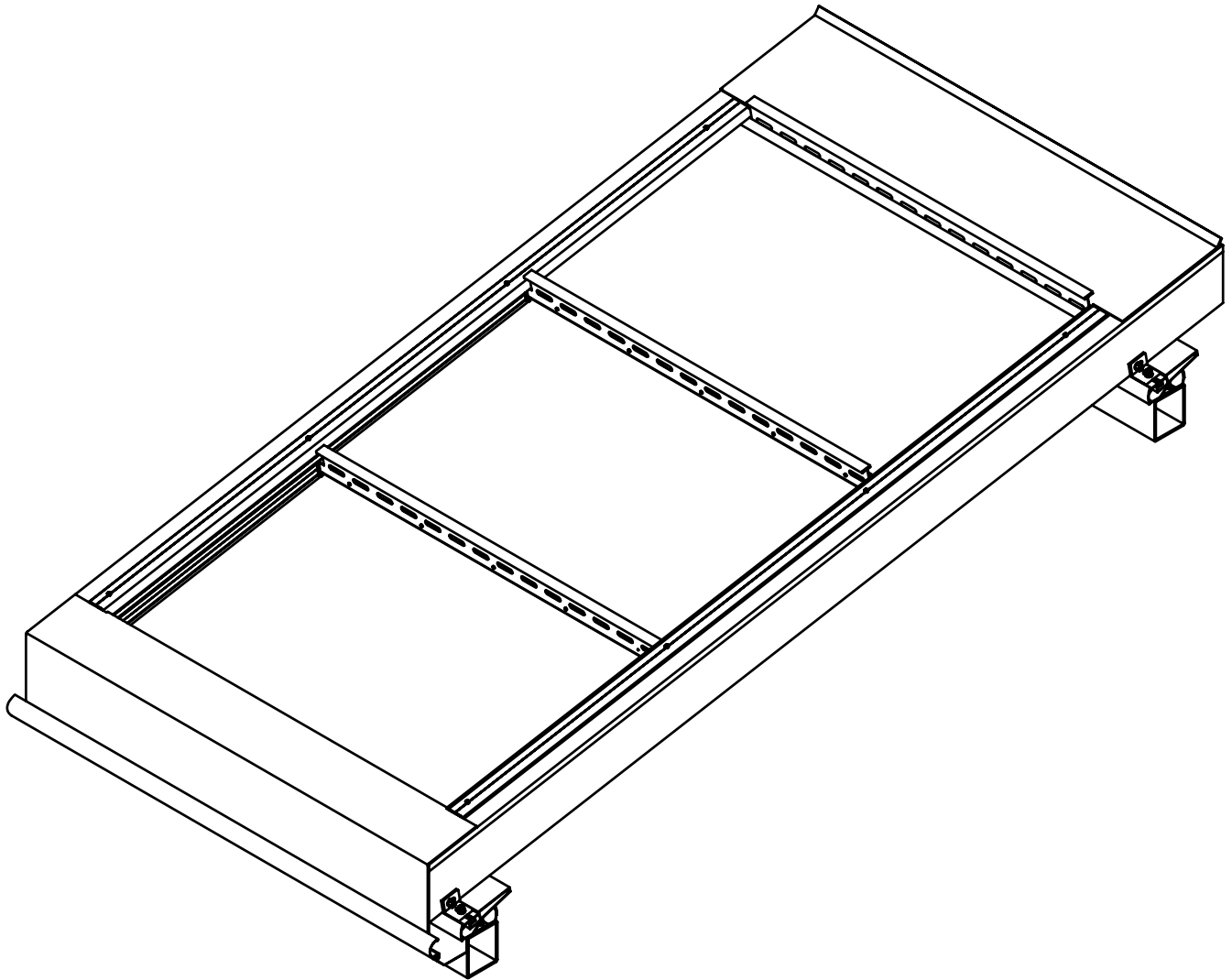
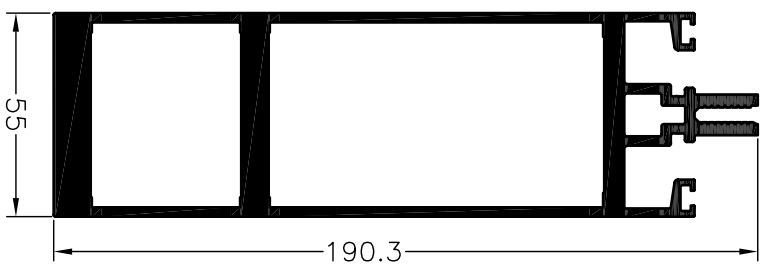


M10880 SLIDING ROOF
TECHNICAL CATALOG

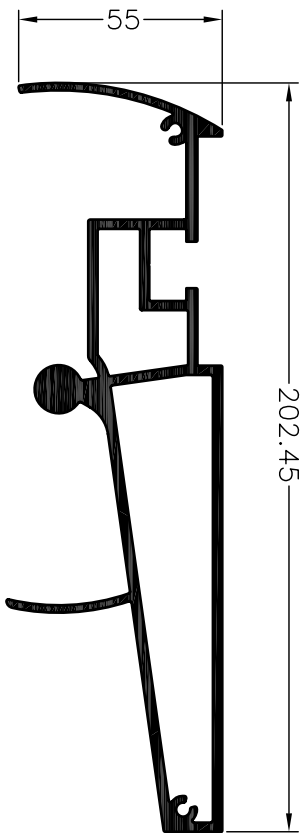


M10880

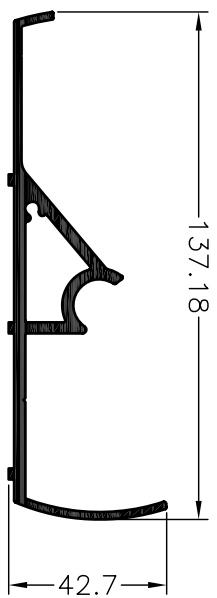
ΠΡΟΦΙΛ/PROFILES



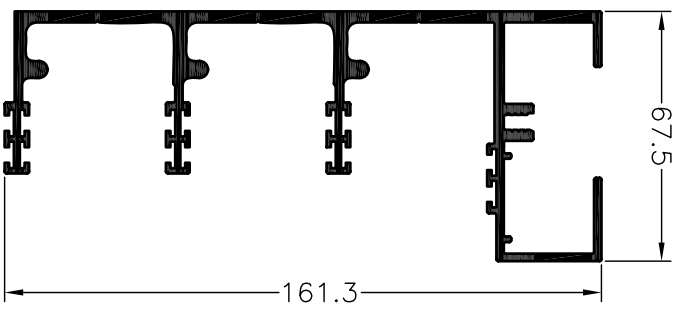
M10952
6210 gr/m



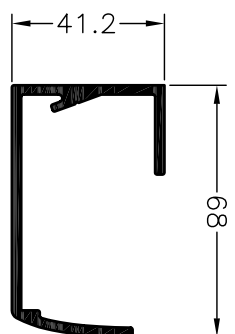
M10886
4192 gr/m



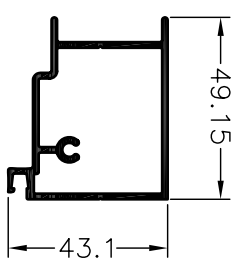
M10885
1851 gr/m



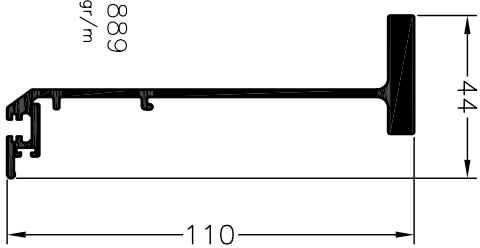
M10880
3478 gr/m



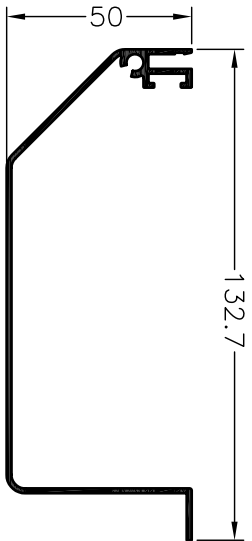
M10882
1121 gr/m



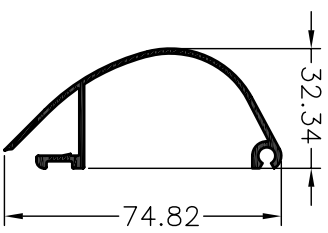
M10888
790 gr/m



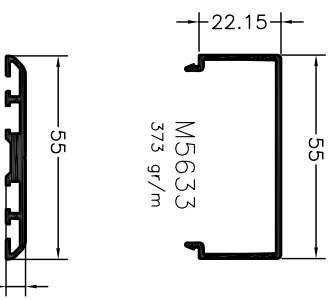
M10889
1413 gr/m



M9867
866 gr/m



M9868
553 gr/m



M5633
373 gr/m

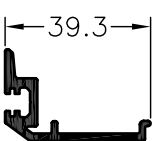
M10805
399 gr/m



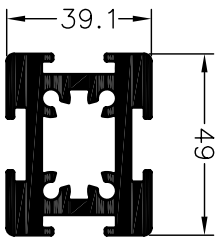
M9970
313 gr/m



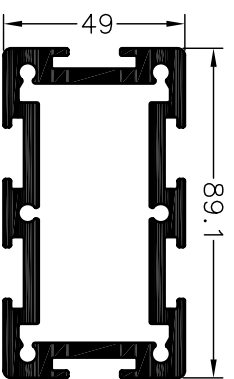
M15117
204 gr/m



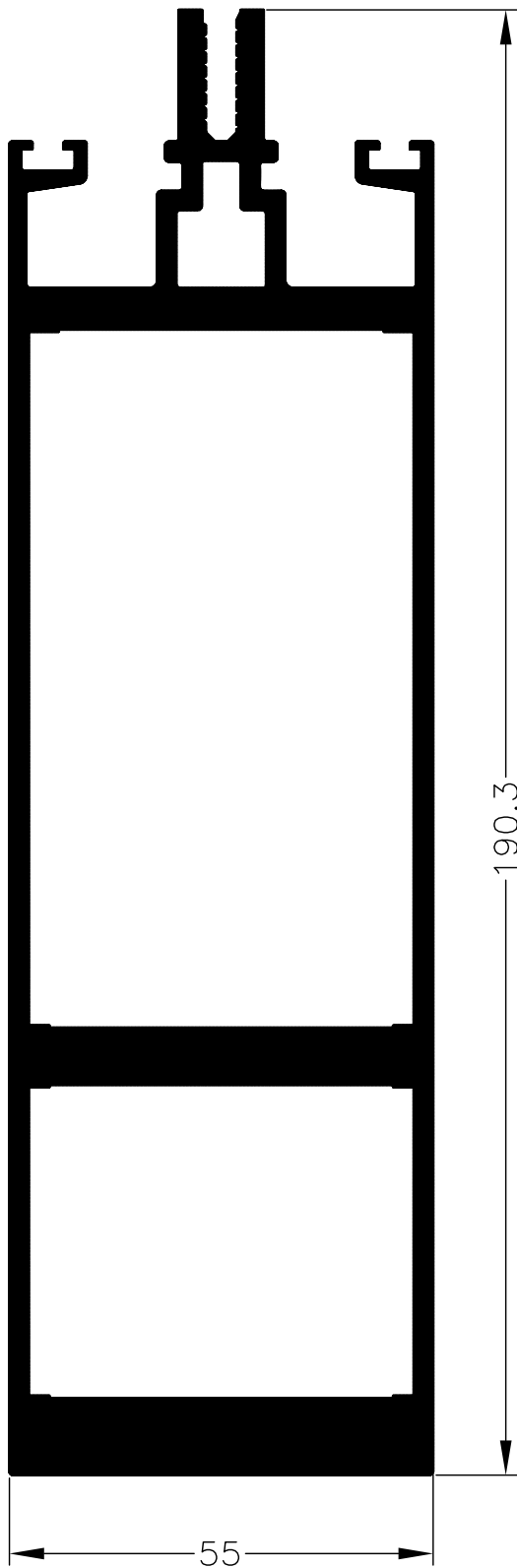
M10884
459 gr/m



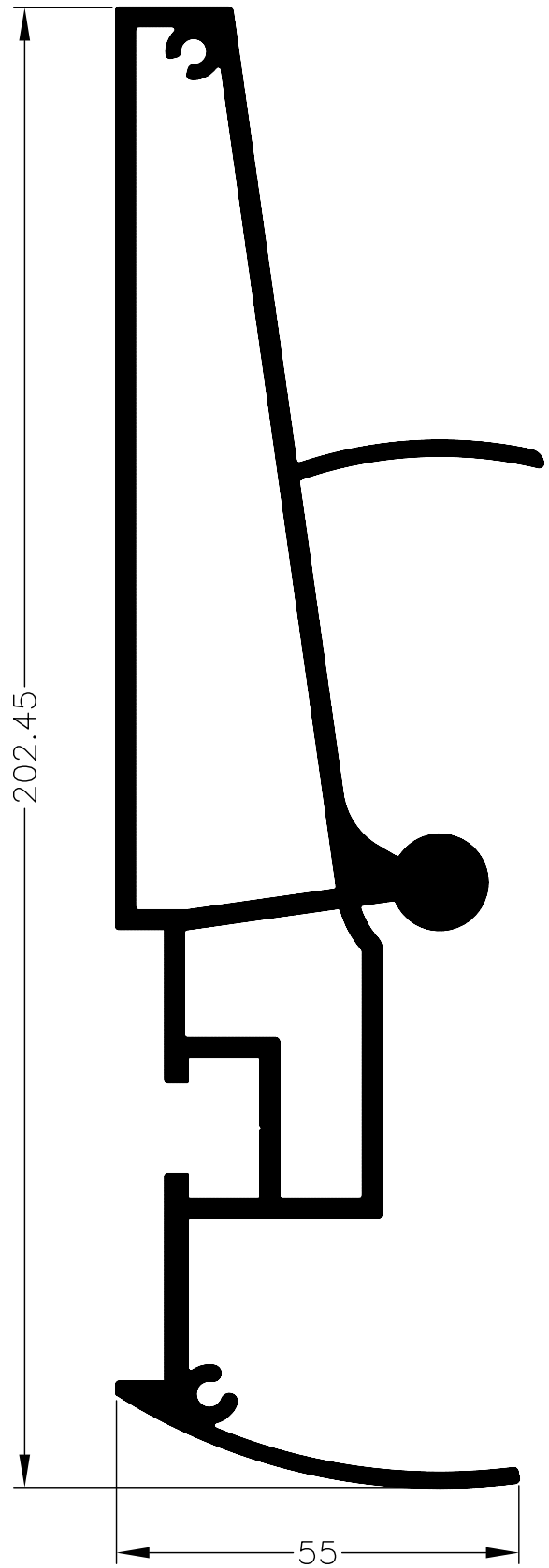
M8510
2695 gr/m



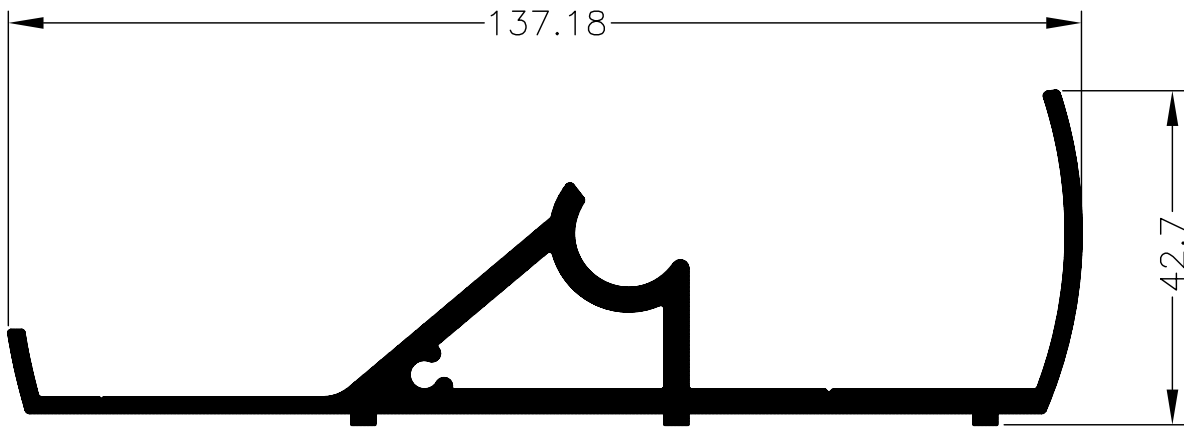
M8512
3829 gr/m



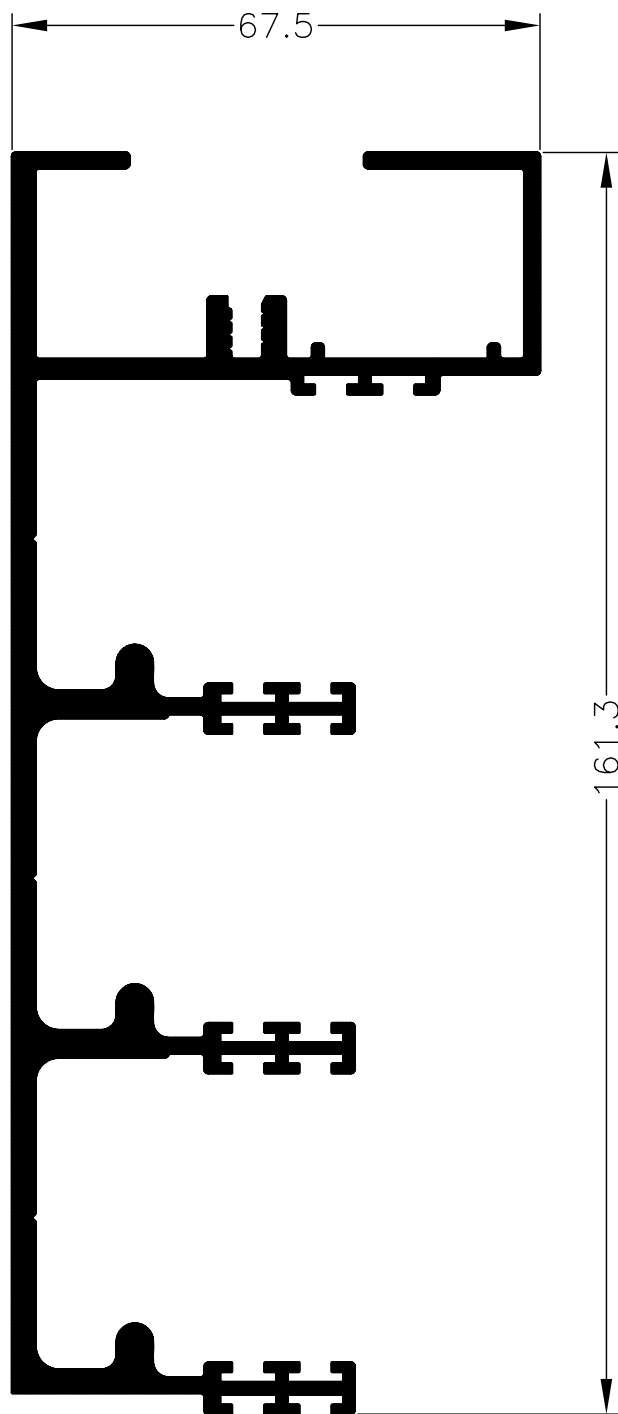
M10952
 $w=6210 \text{ gr/m}$
 $I_x=85.65 \text{ cm}^4$
 $J_y=914.25 \text{ cm}^4$



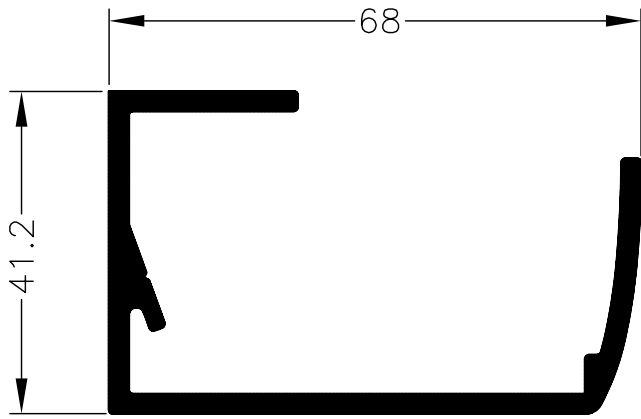
M10886
 $w=4192 \text{ gr/m}$
 $I_x=34.79 \text{ cm}^4$
 $J_y=506.72 \text{ cm}^4$



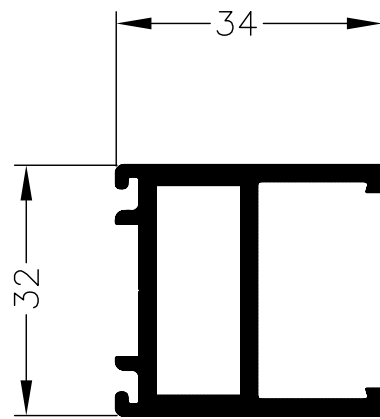
M10885
w=1851 gr/m
Ix=89.80 cm⁴
Jy=5.90 cm⁴



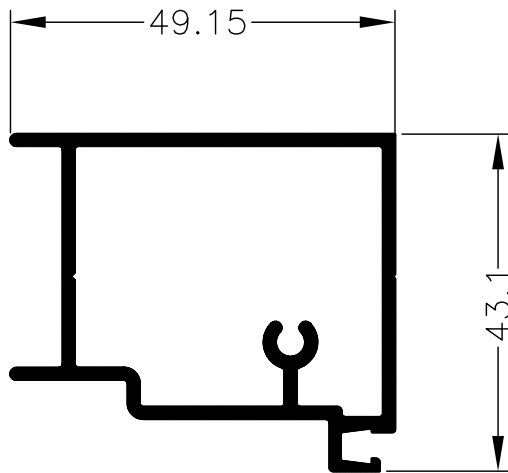
M10880
w=3478 gr/m
Ix=49.86 cm⁴
Jy=335.75 cm⁴



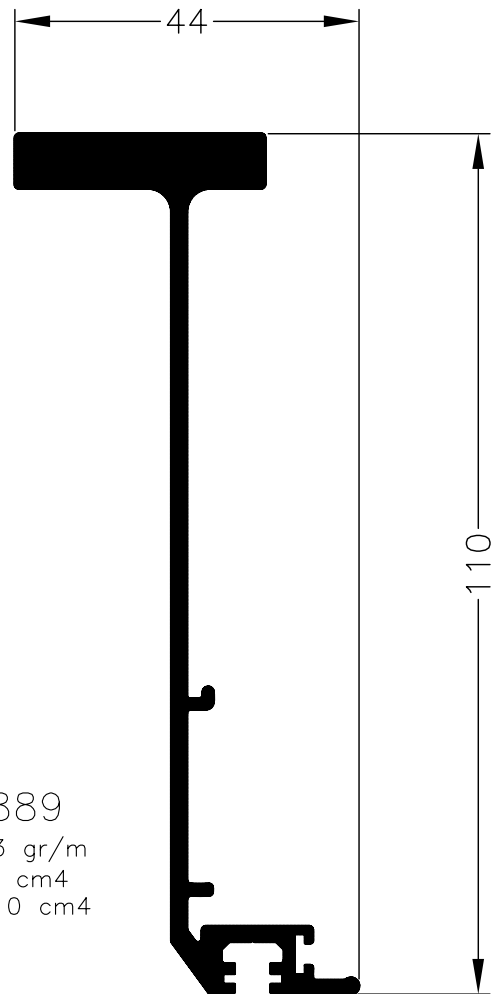
M10882
 $w=1121$ gr/m
 $I_x=26.38$ cm⁴
 $J_y=8.68$ cm⁴



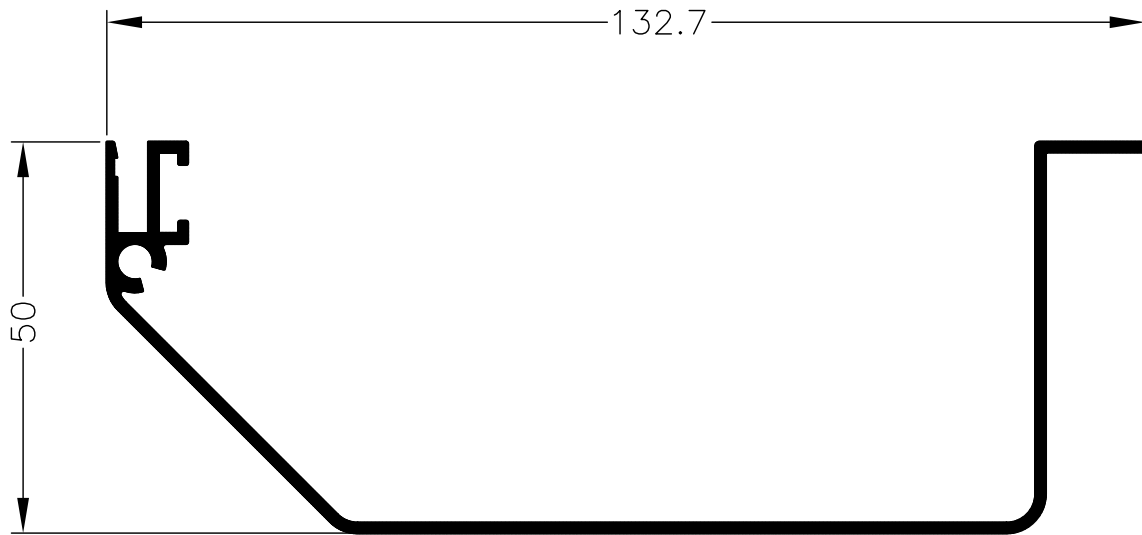
M10883
 $w=738$ gr/m
 $I_x=2.40$ cm⁴
 $J_y=4.17$ cm⁴



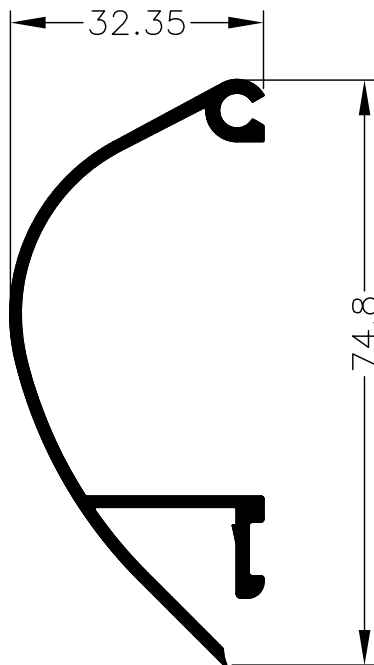
M10888
 $w=790$ gr/m
 $I_x=7.72$ cm⁴
 $J_y=6.21$ cm⁴



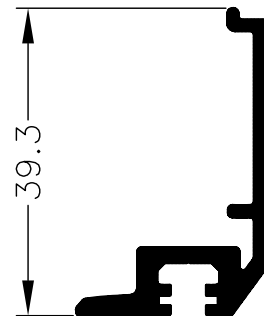
M10889
 $w=1413$ gr/m
 $I_x=3.69$ cm⁴
 $J_y=91.10$ cm⁴



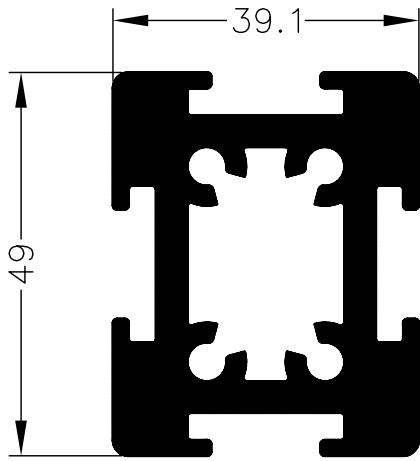
M9867
 w=866 gr/m
 Ix=73.00 cm⁴
 Jy=10.80 cm⁴



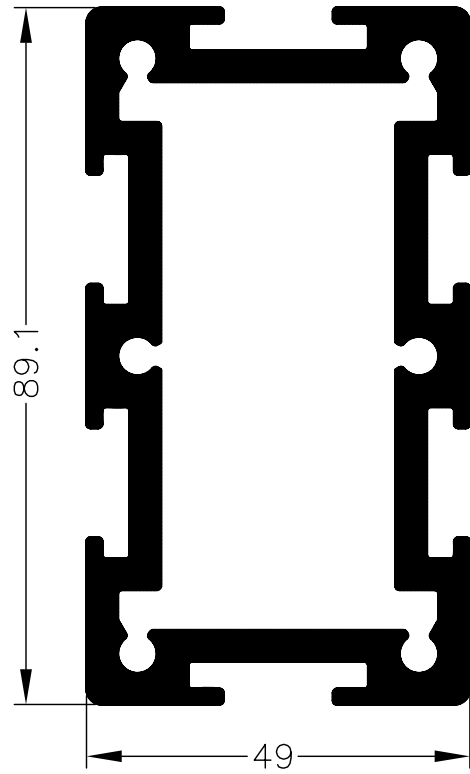
M9868
 w=553 gr/m
 Ix=2.27 cm⁴
 Jy=11.58 cm⁴



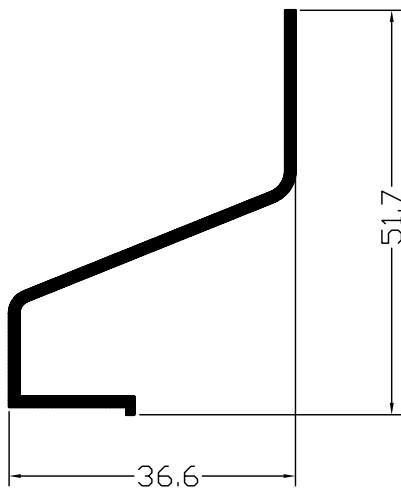
M10884
 w=459 gr/m
 Ix=0.81 cm⁴
 Jy=2.24 cm⁴



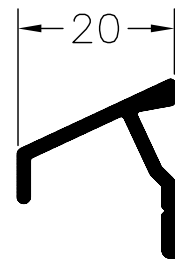
M8510
 $w=2695 \text{ gr/m}$
 $I_x=16.62 \text{ cm}^4$
 $J_y=24.99 \text{ cm}^4$



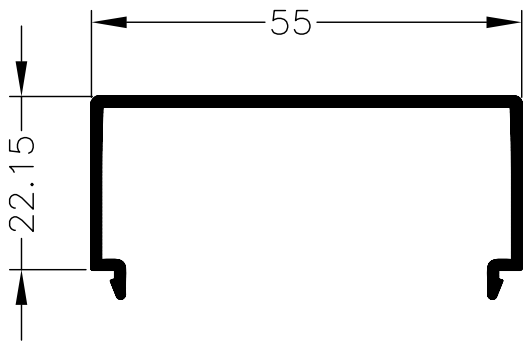
M8512
 $w=3829 \text{ gr/m}$
 $I_x=44.95 \text{ cm}^4$
 $J_y=129.37 \text{ cm}^4$



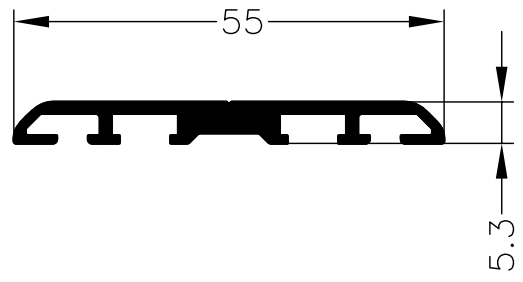
M9970
 $w=313 \text{ gr/m}$
 $I_x=2.16 \text{ cm}^4$
 $J_y=2.40 \text{ cm}^4$



M15117
 $w=204 \text{ gr/m}$
 $I_x=0.34 \text{ cm}^4$
 $J_y=0.23 \text{ cm}^4$



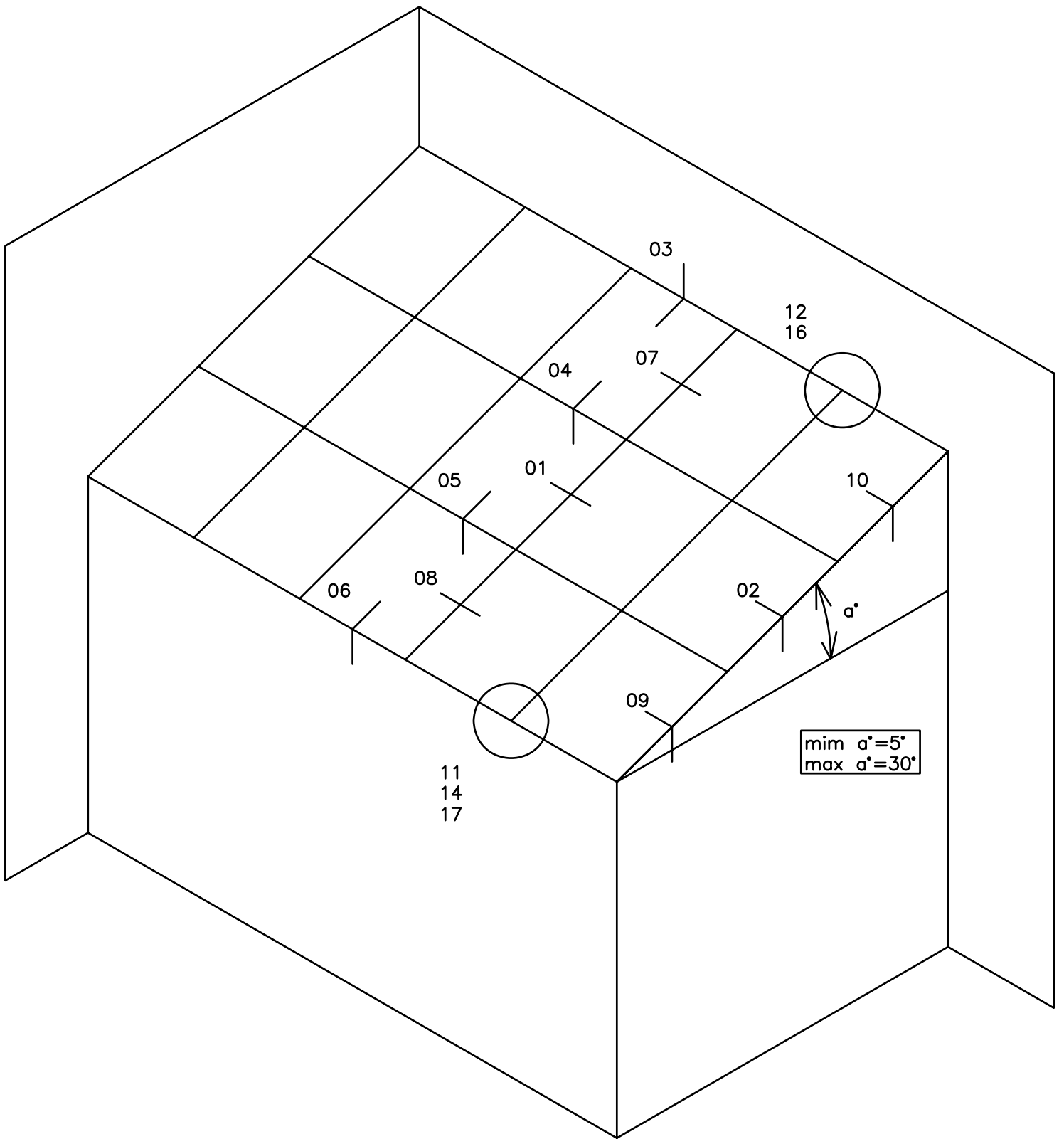
M5633
w=373 gr/m



M10805
w=399 gr/m

M10880

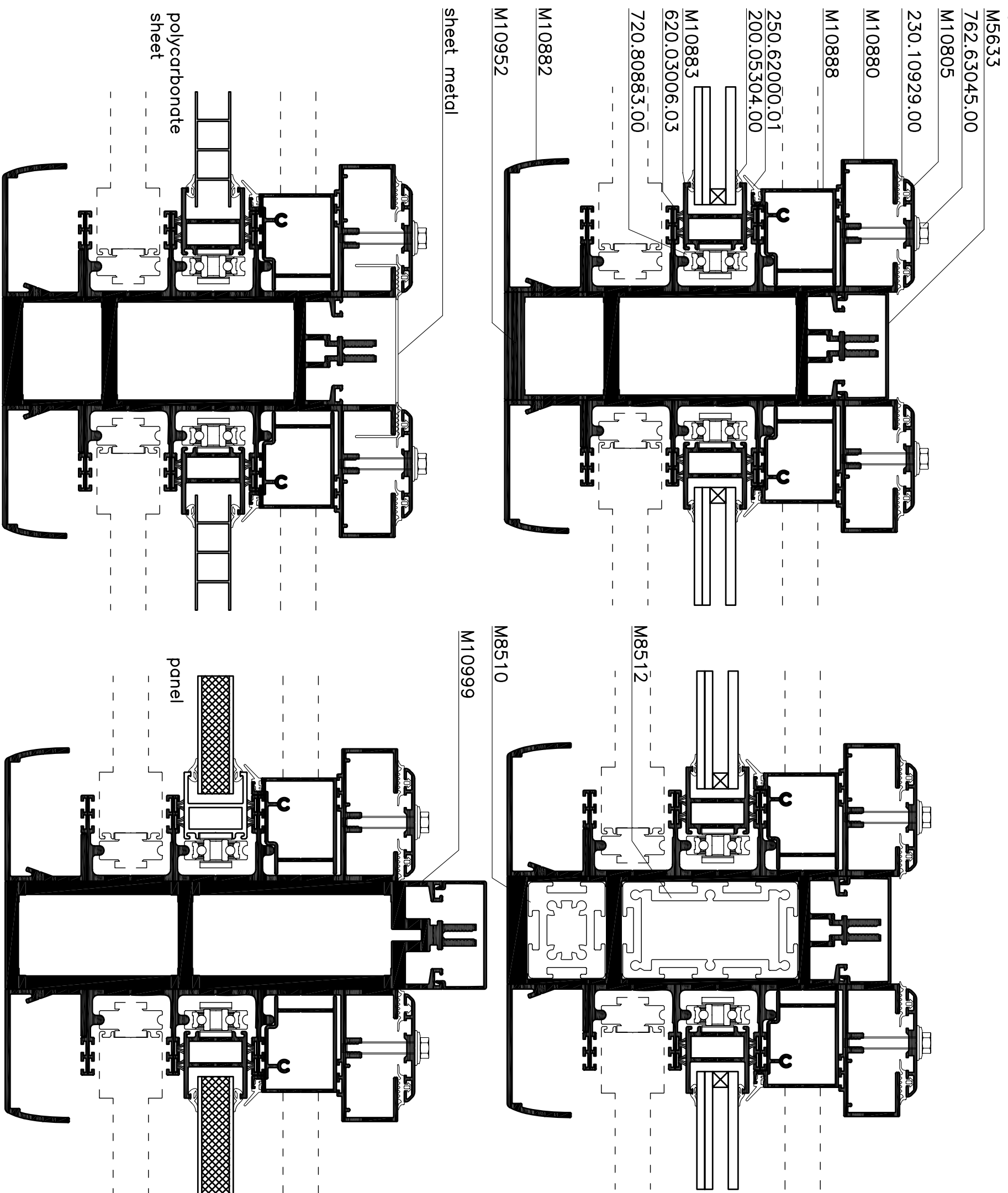
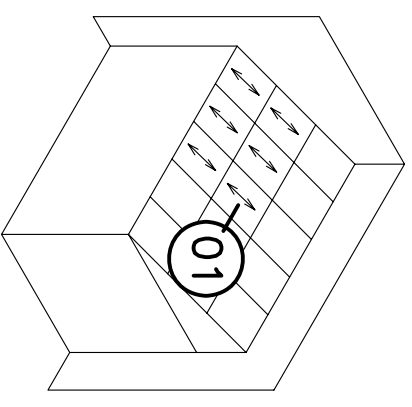
TOMES/SECTIONS



M10880 SLIDING ROOF



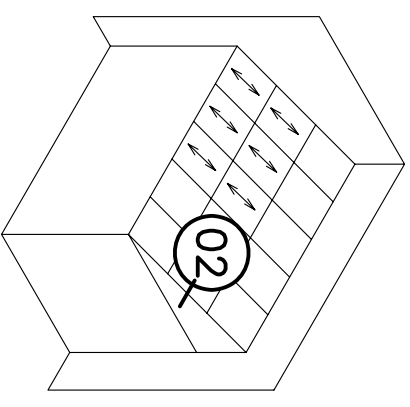
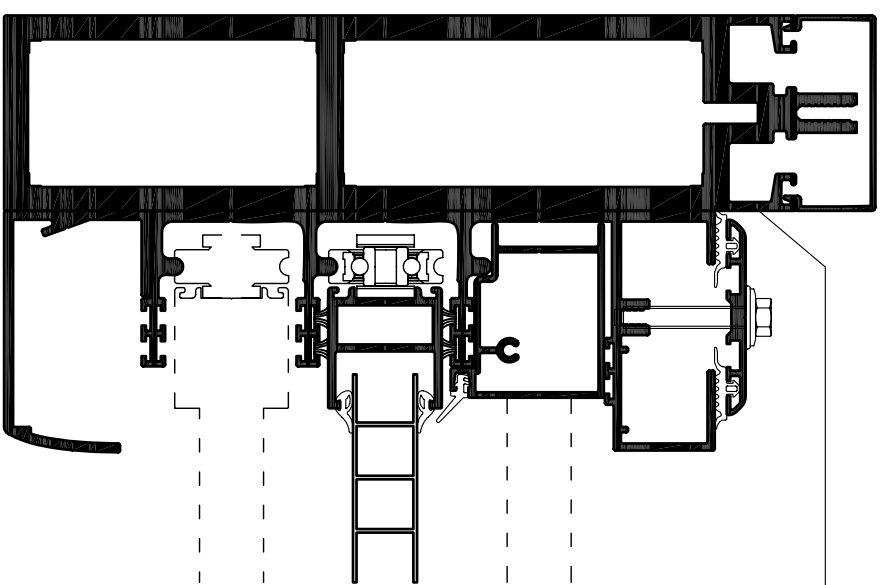
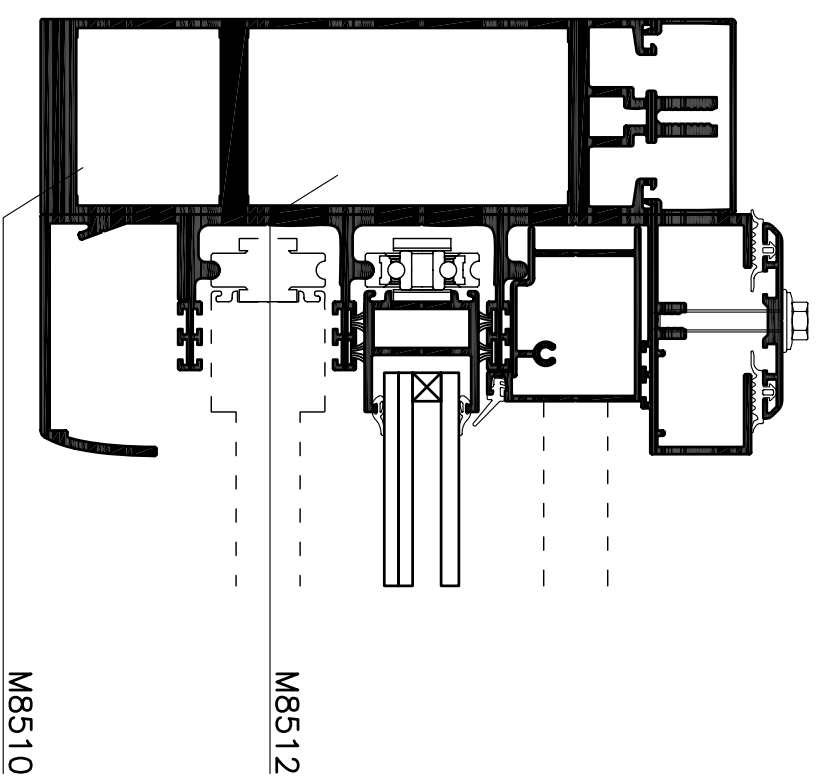
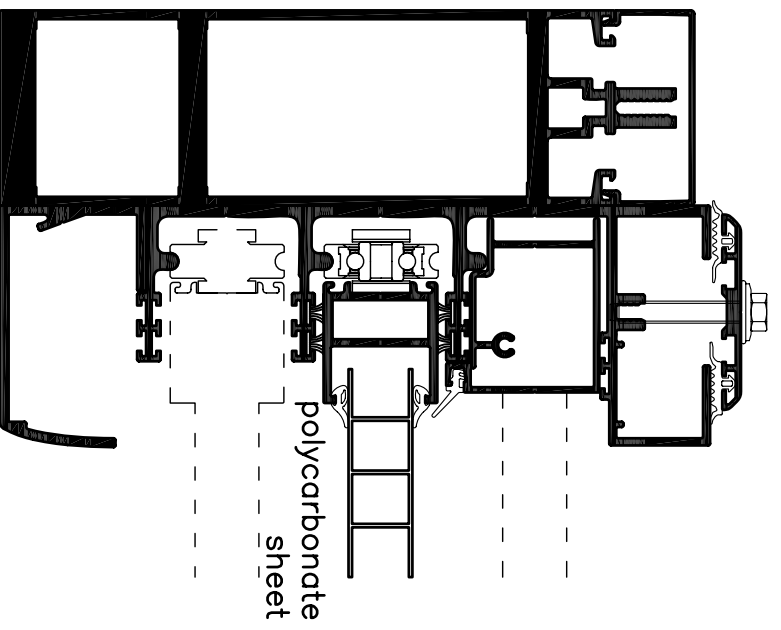
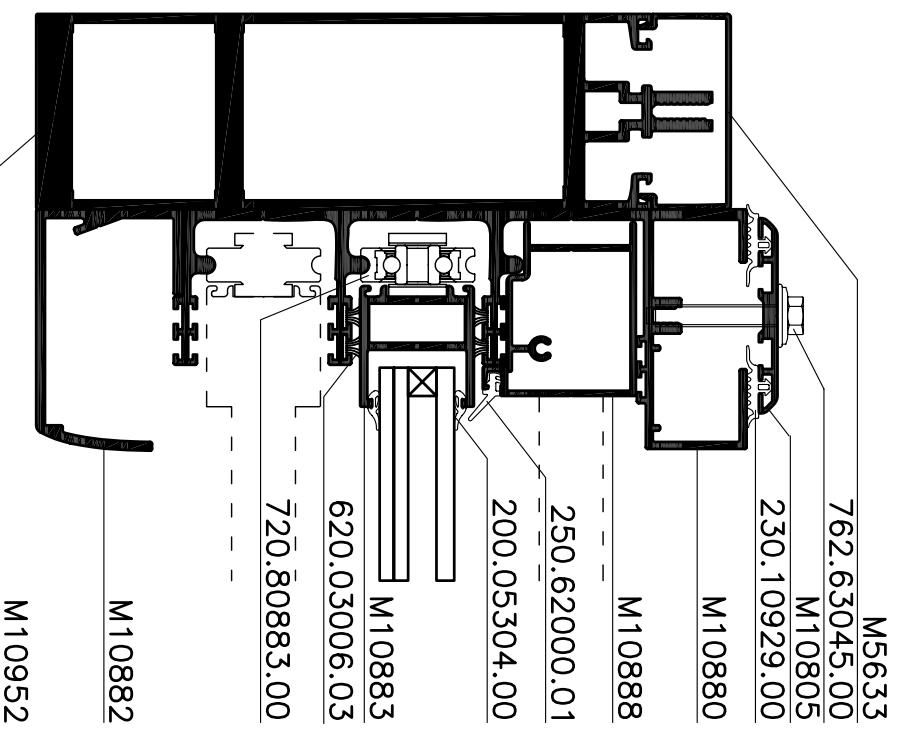
Section through mullion -01



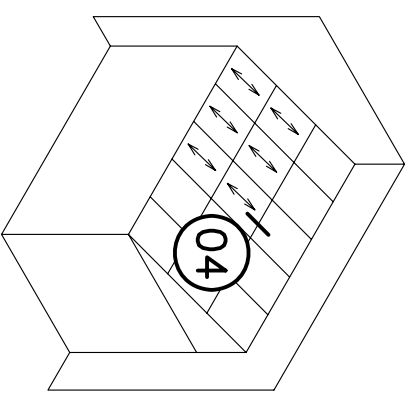
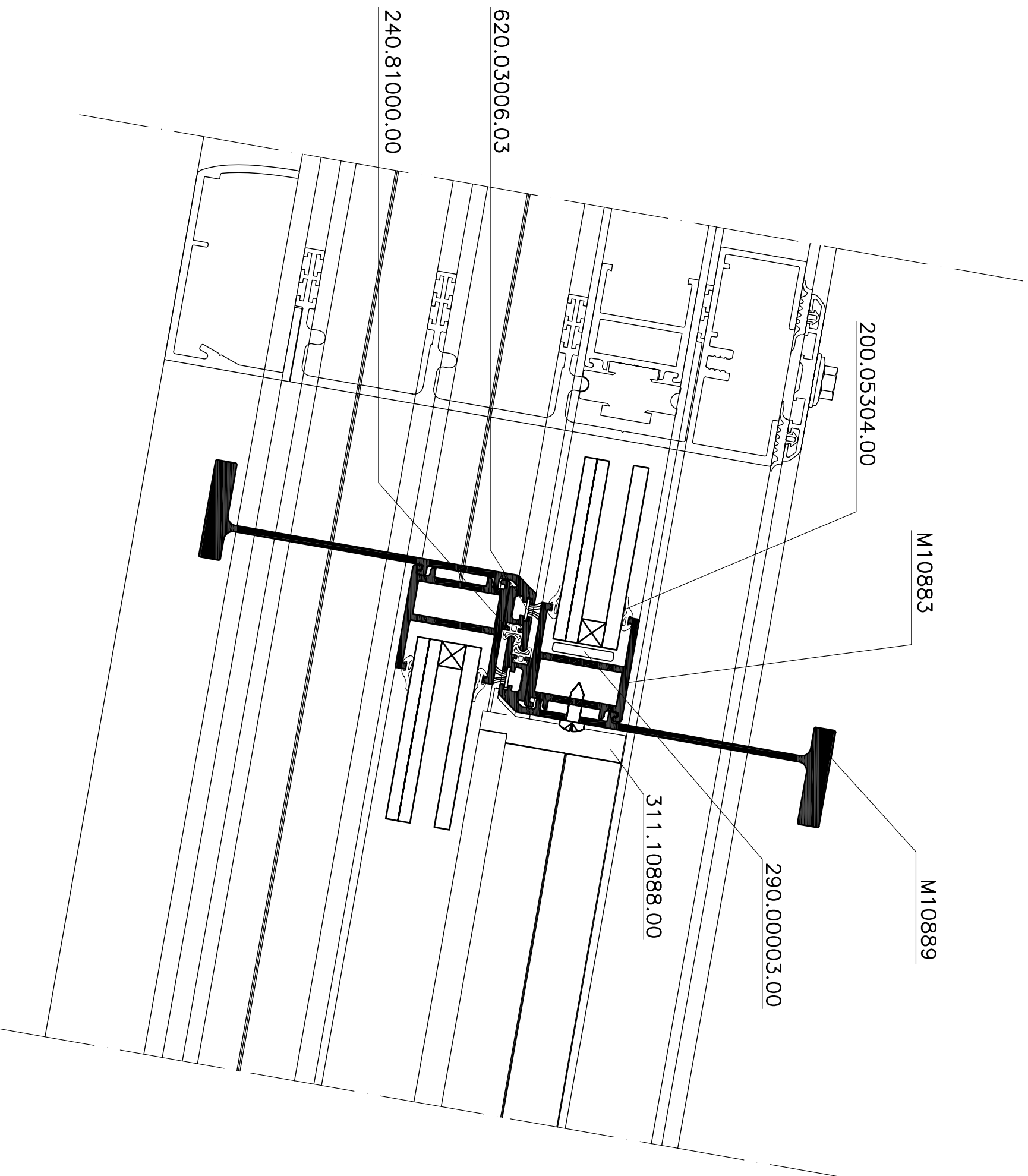
Copyright 2007 Alumil . All rights reserved. Reproduction is prohibited without written permission from the publisher. Alumil disclaims any responsibility for typographical errors and any inaccurate information that may be contained in this manual.

M10880 SLIDING ROOF

Section through mullion -02



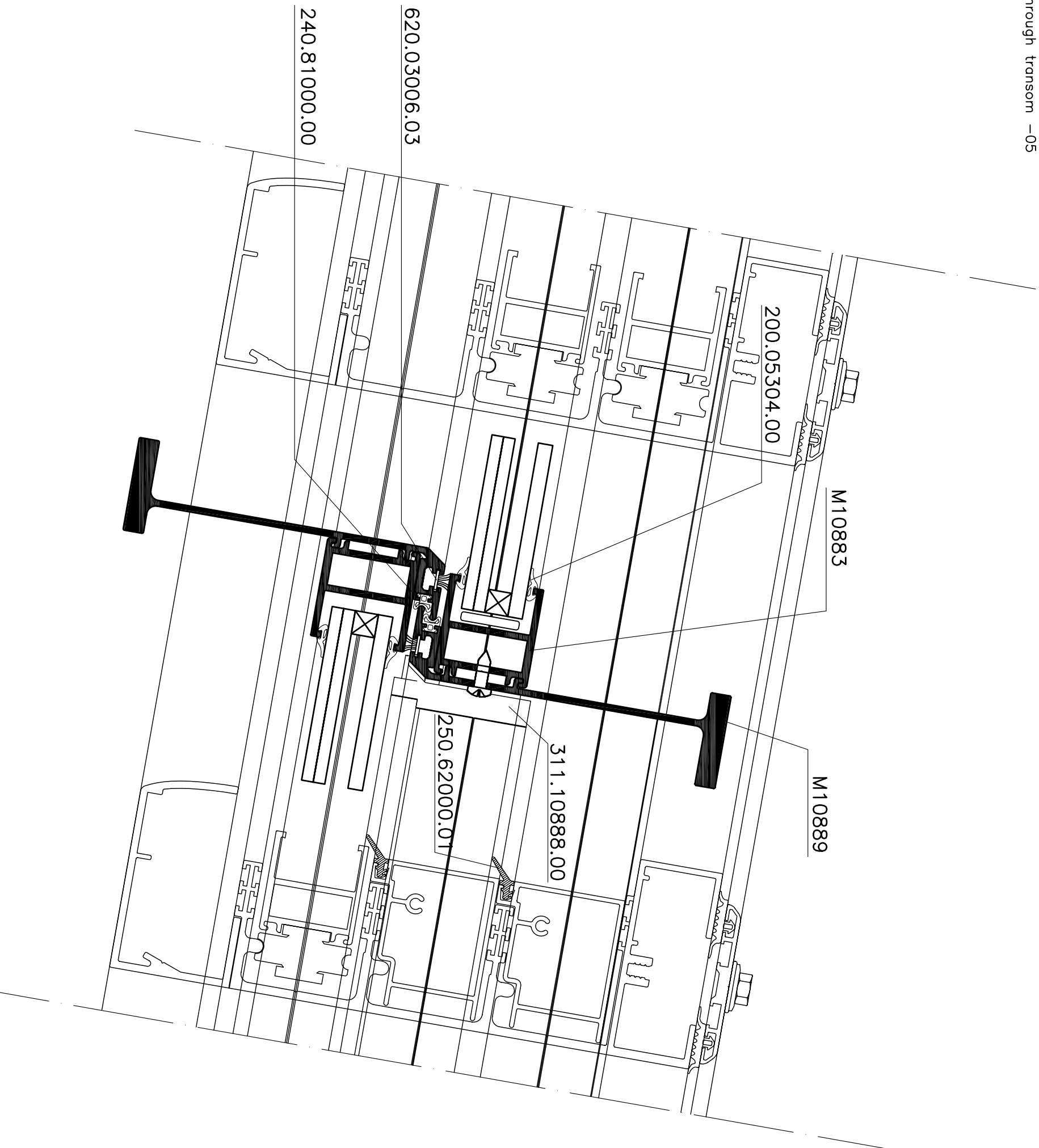
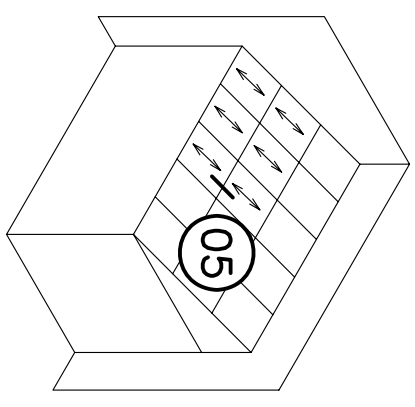
Copyright 2007 Alumil . All rights reserved. Reproduction is prohibited without written permission from the publisher. Alumil disclaims any responsibility for typographical errors and any inaccurate information that may be contained in this manual.



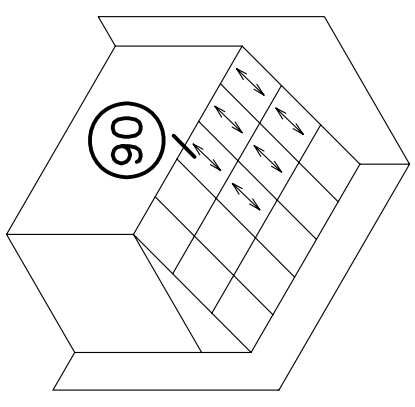
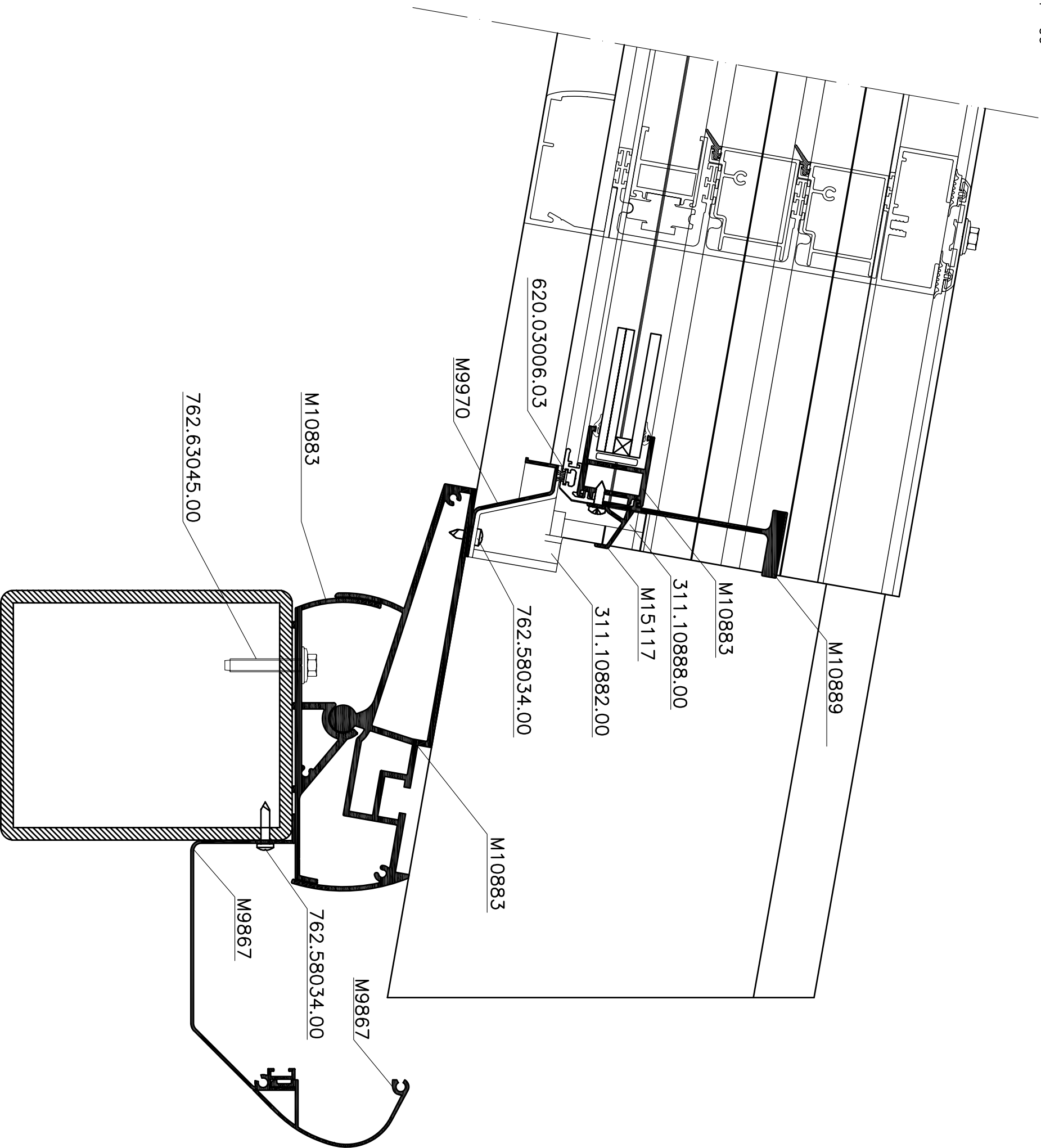
Copyright 2007 Alumil . All rights reserved. Reproduction is prohibited without written permission from the publisher. Alumil disclaims any responsibility for typographical errors and any inaccurate information that may be contained in this manual.

M10880 SLIDING ROOF

Section through transom -05



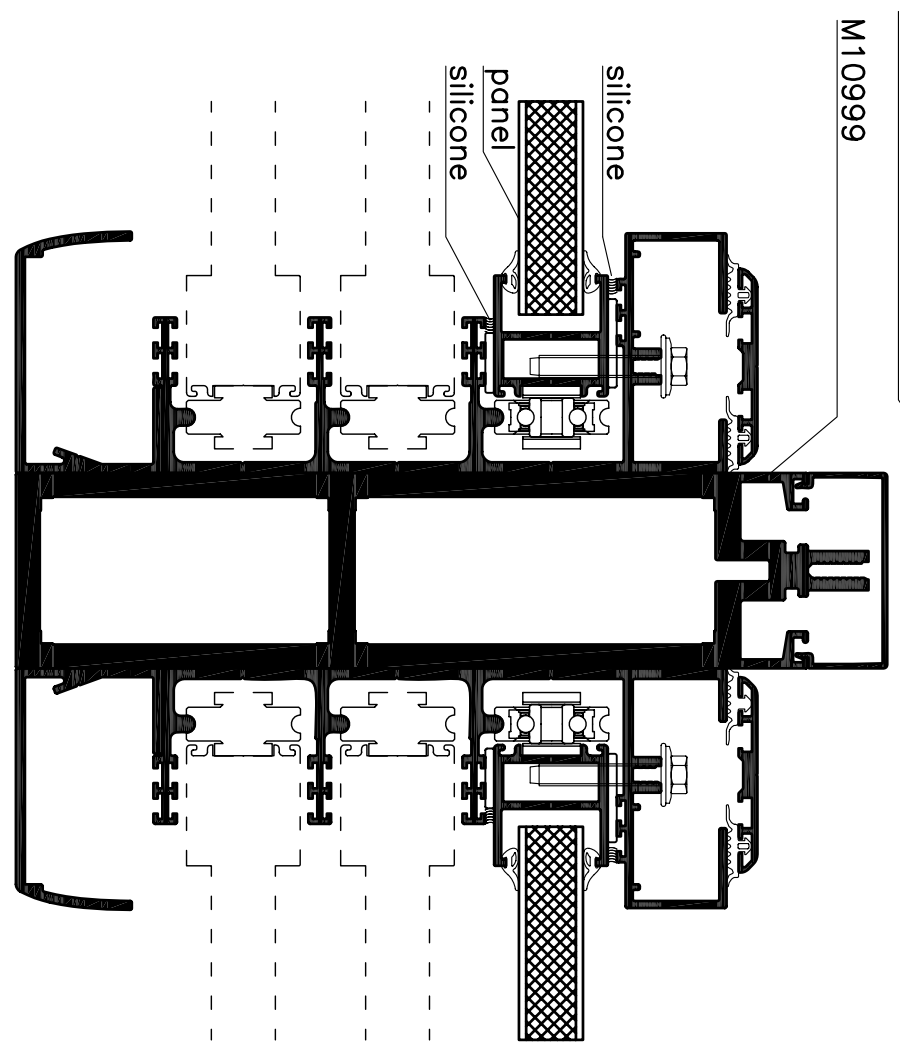
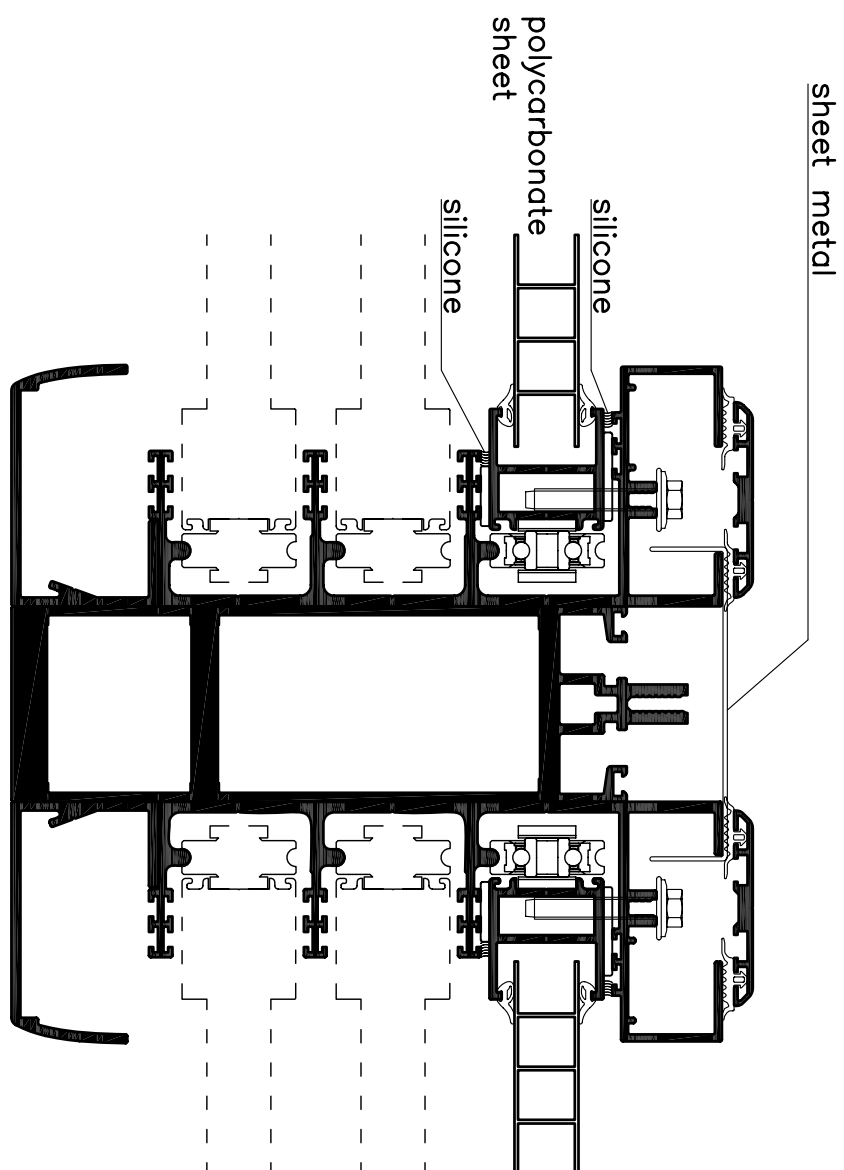
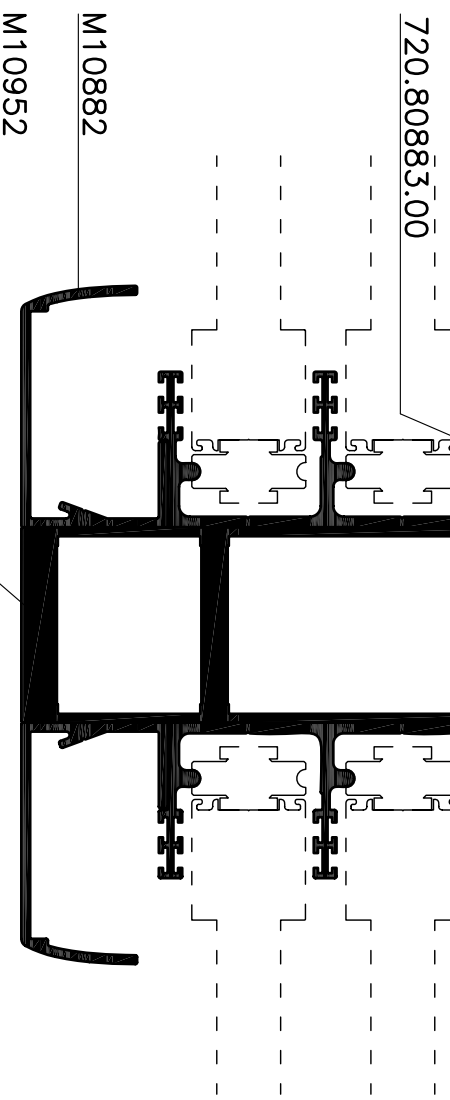
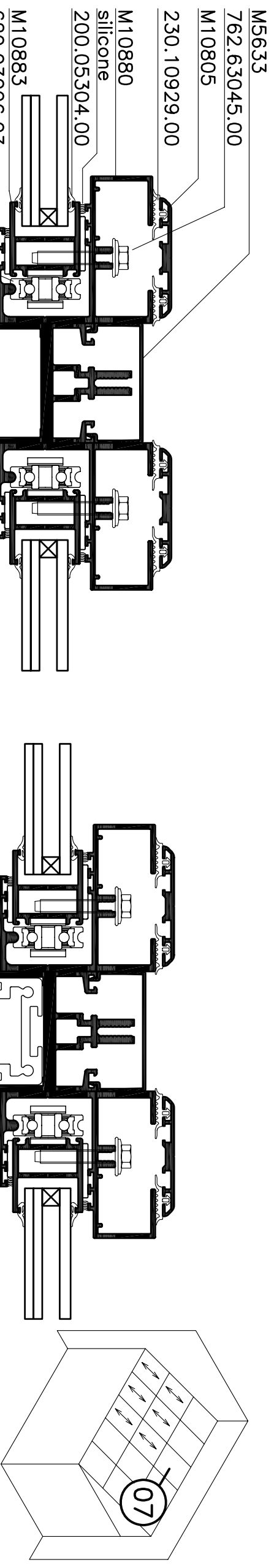
Copyright 2007 Alumil . All rights reserved. Reproduction is prohibited without written permission from the publisher. Alumil disclaims any responsibility for typographical errors and any inaccurate information that may be contained in this manual.



M10880 SLIDING ROOF

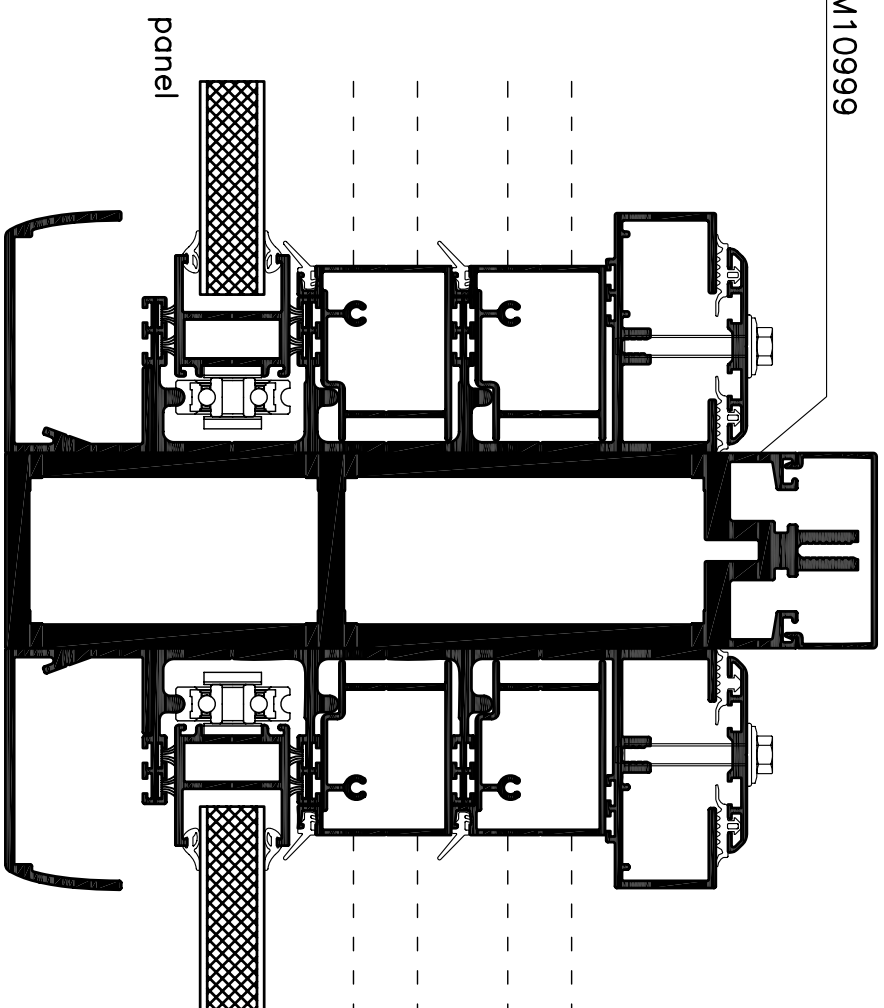
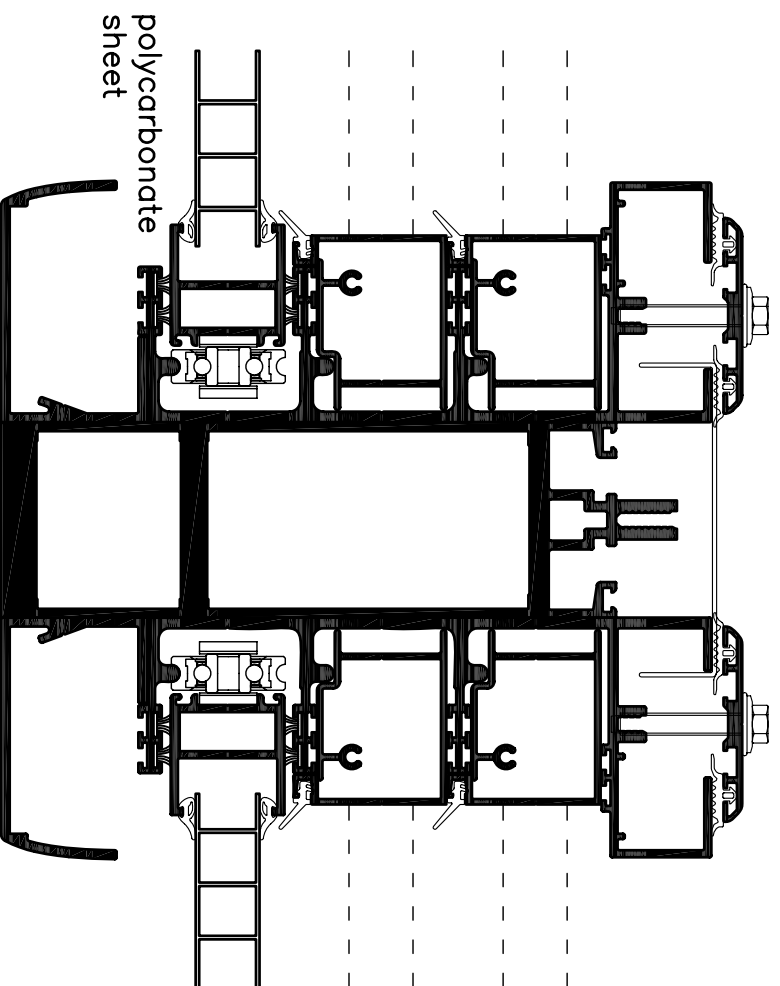
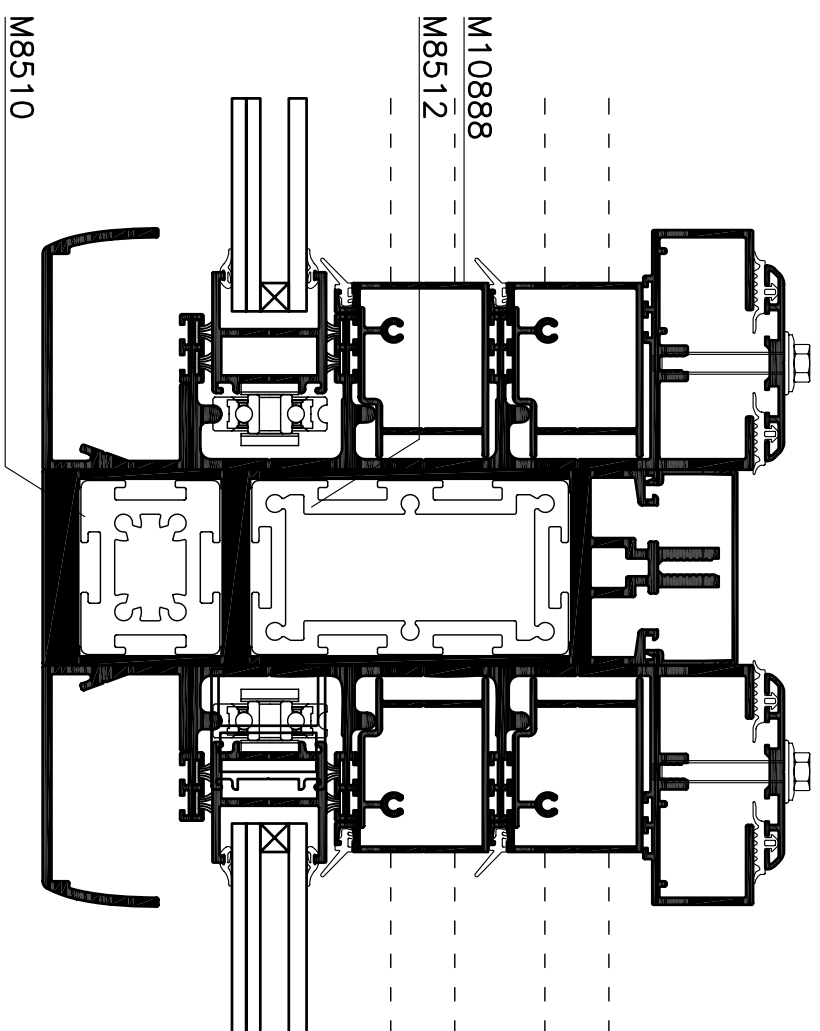
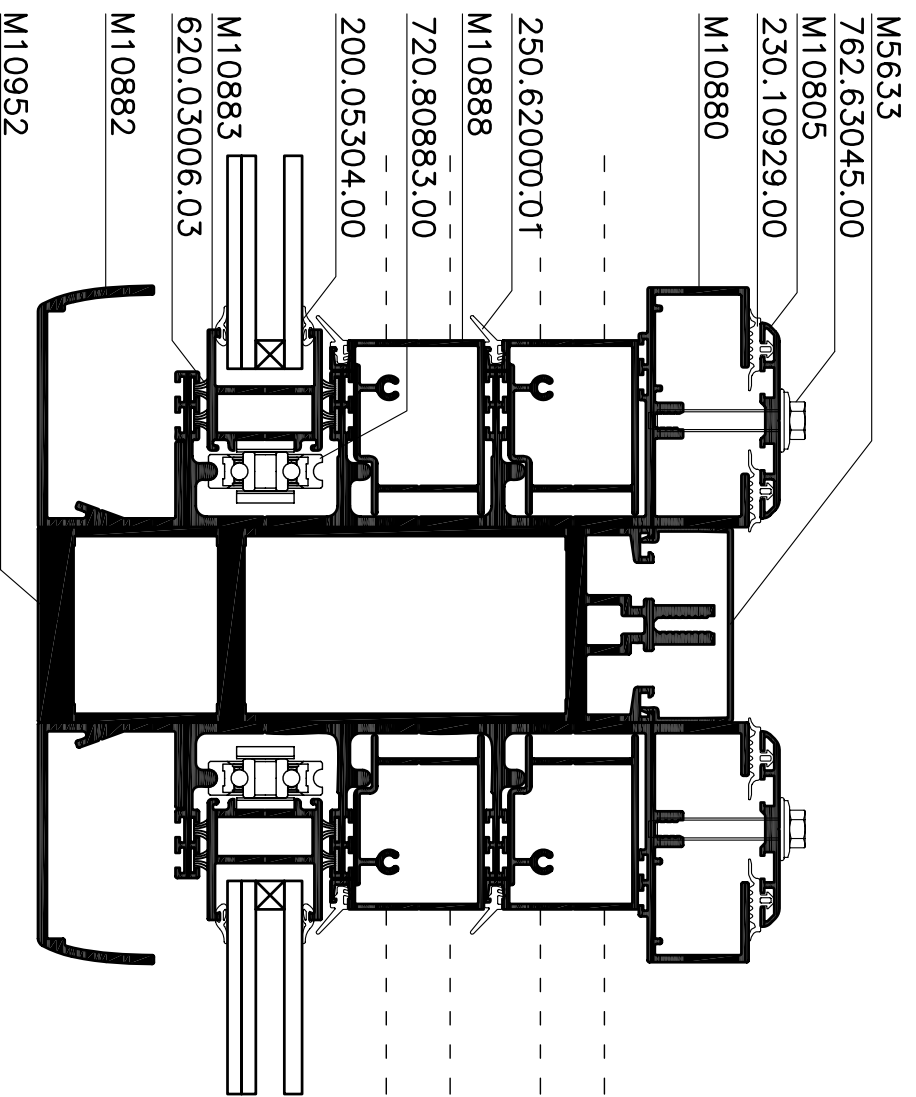
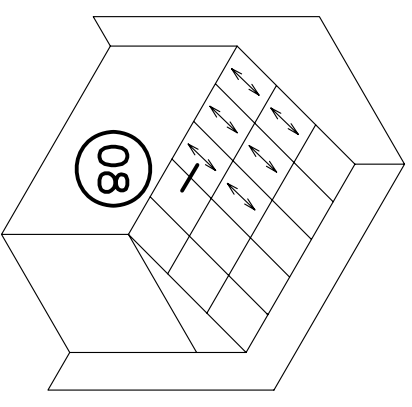


Section through mullion -07



M10880 SLIDING ROOF

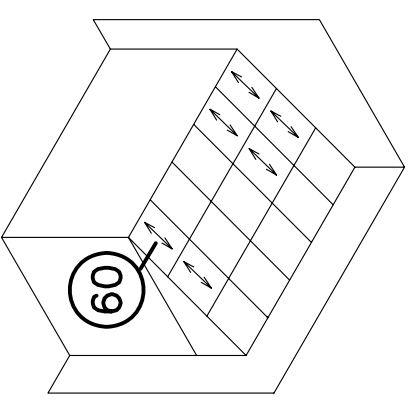
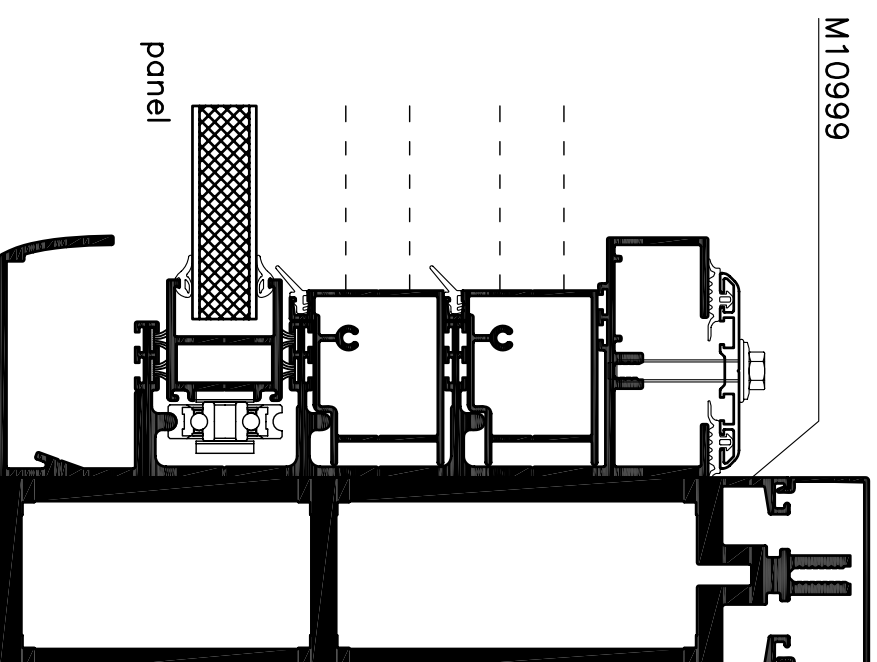
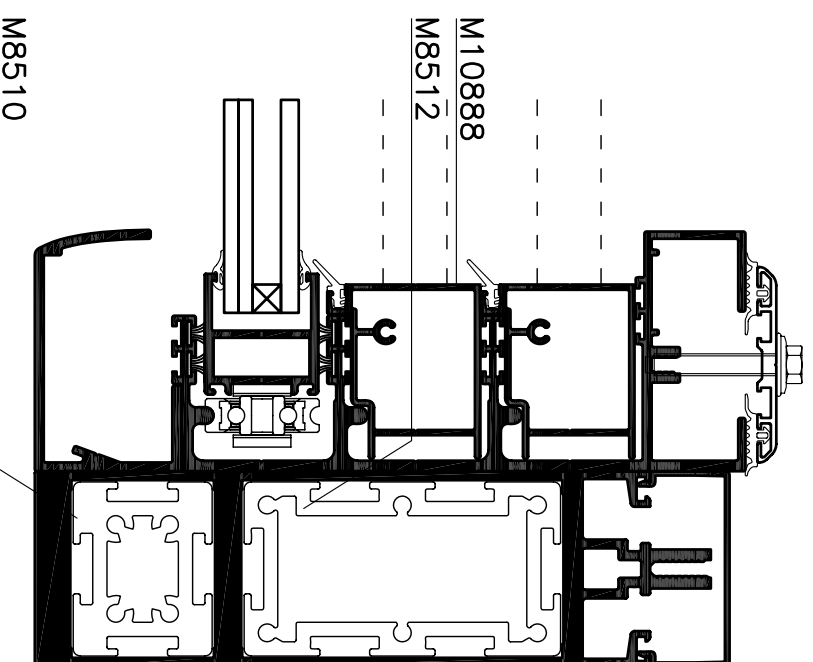
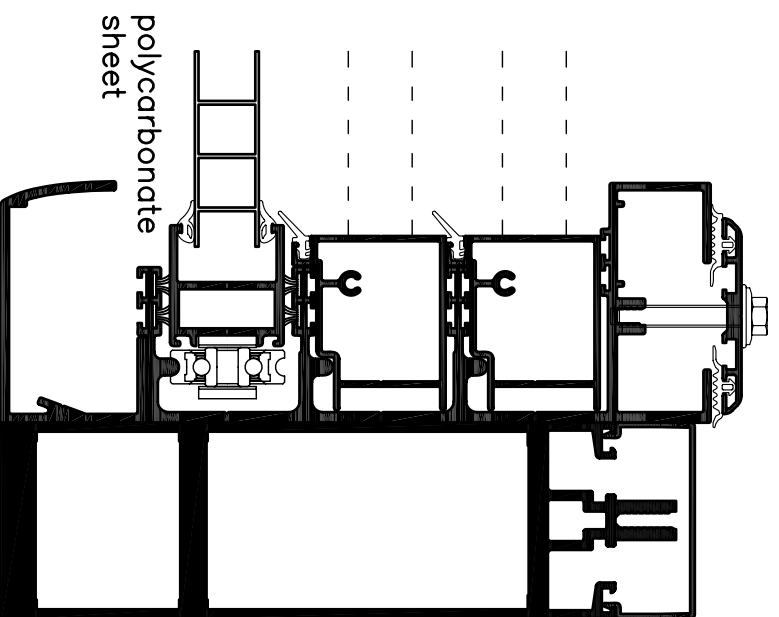
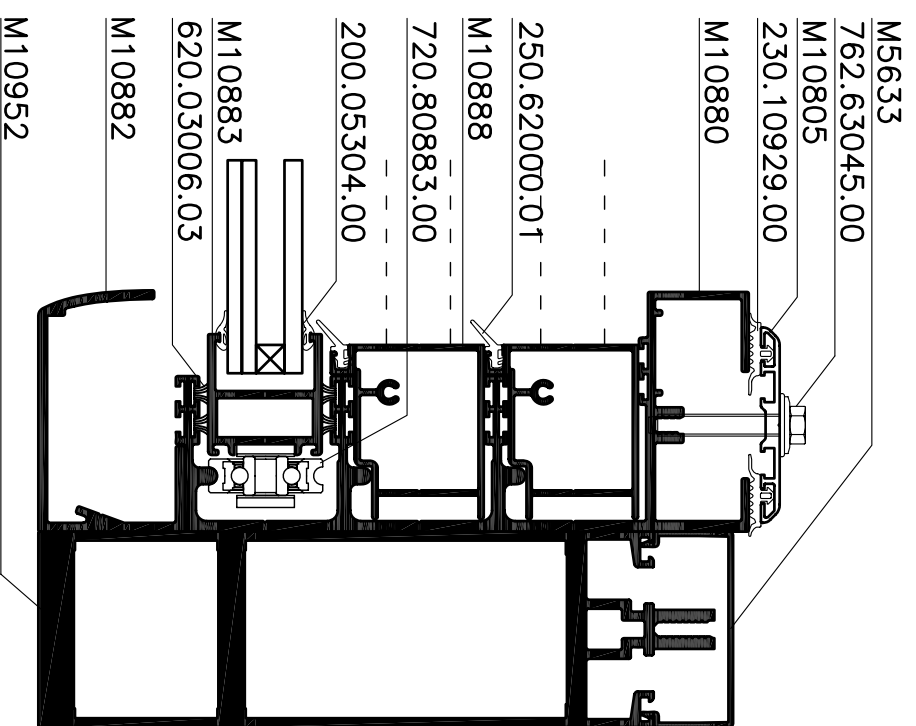
Section through mullion -08



Copyright 2007 Alumil . All rights reserved. Reproduction is prohibited without written permission from the publisher. Alumil disclaims any responsibility for typographical errors and any inaccurate information that may be contained in this manual.

M10880 SLIDING ROOF

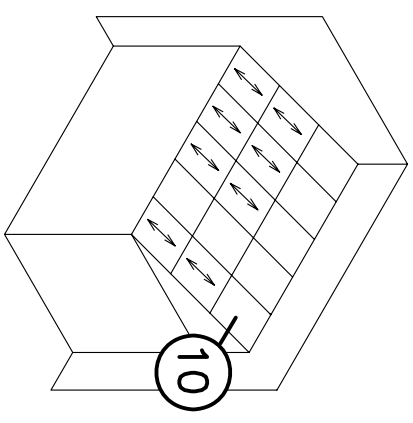
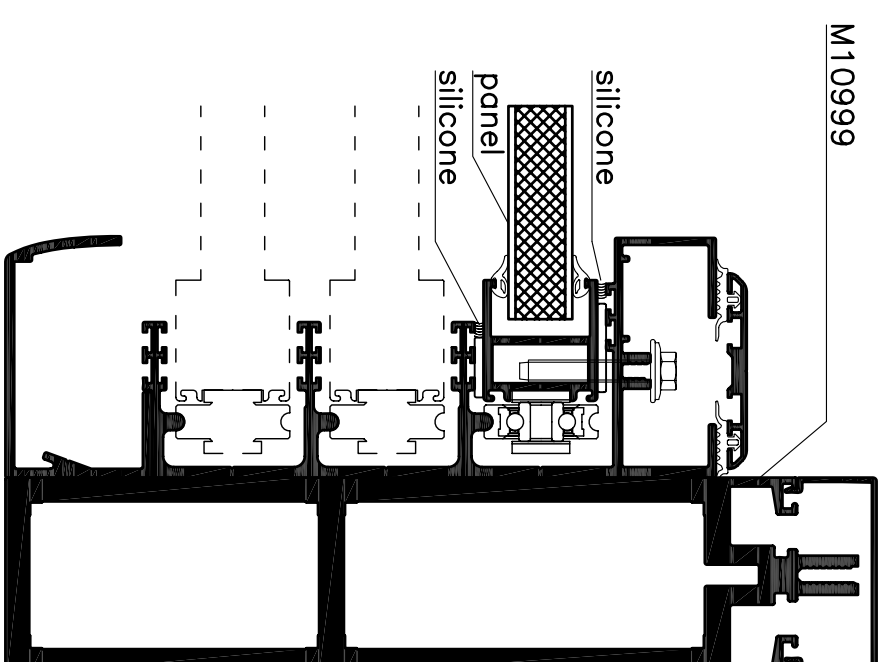
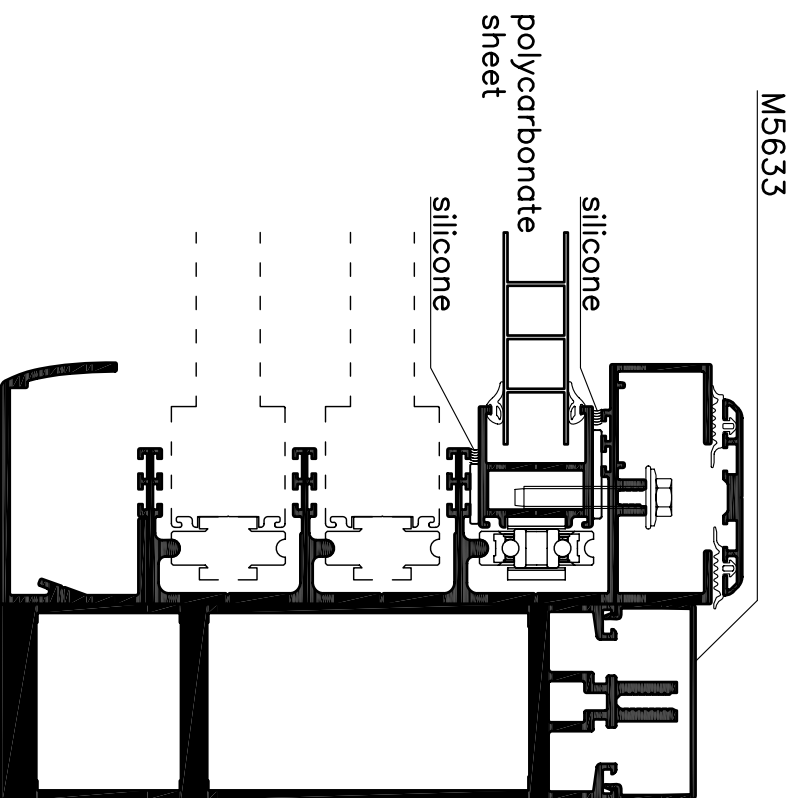
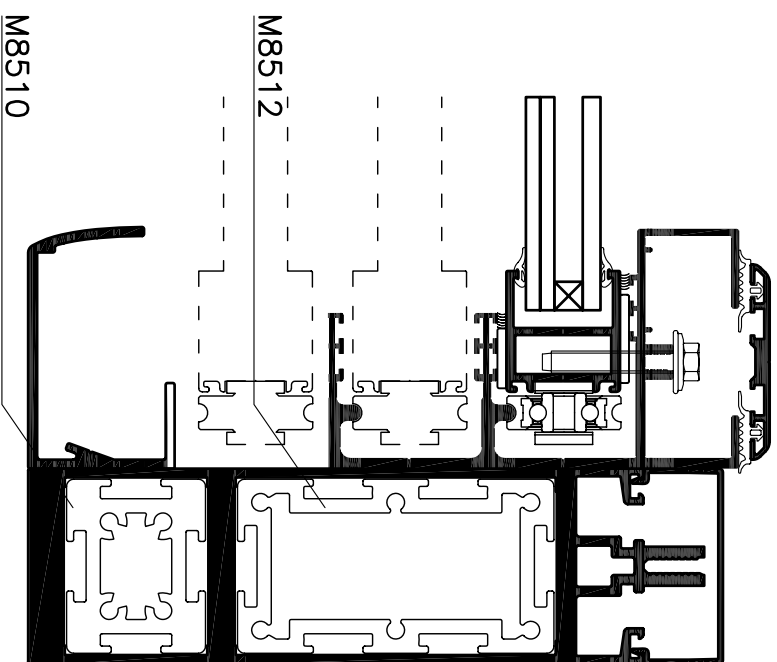
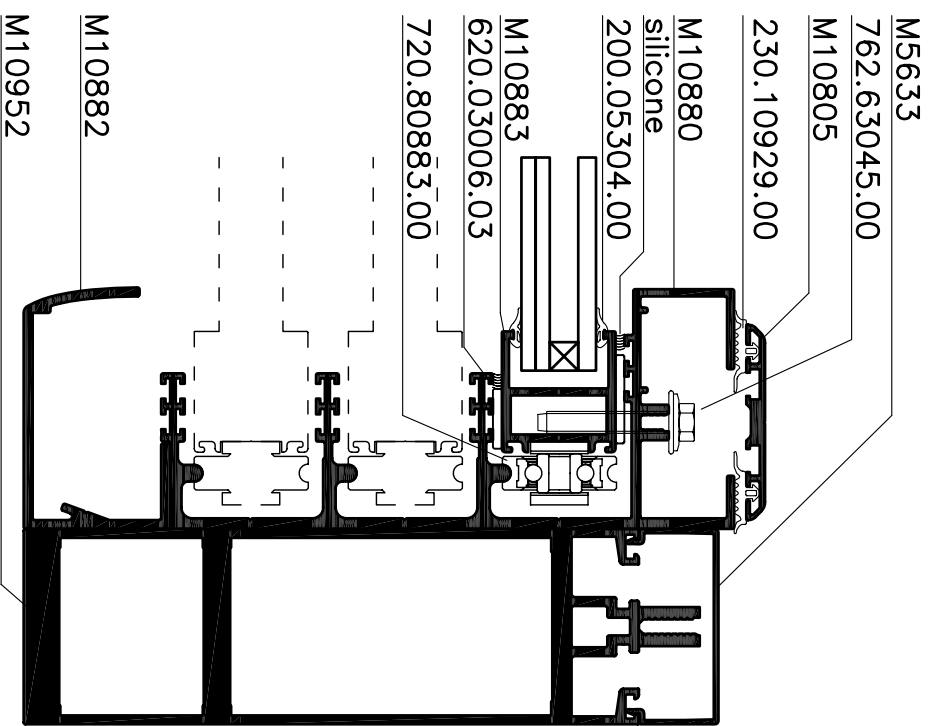
Section through mullion -09



Copyright 2007 Alumil . All rights reserved. Reproduction is prohibited without written permission from the publisher. Alumil disclaims any responsibility for typographical errors and any inaccurate information that may be contained in this manual.

M10880 SLIDING ROOF

Section through mullion -10



Copyright 2007 Alumil . All rights reserved. Reproduction is prohibited without written permission from the publisher. Alumil disclaims any responsibility for typographical errors and any inaccurate information that may be contained in this manual.

M10880

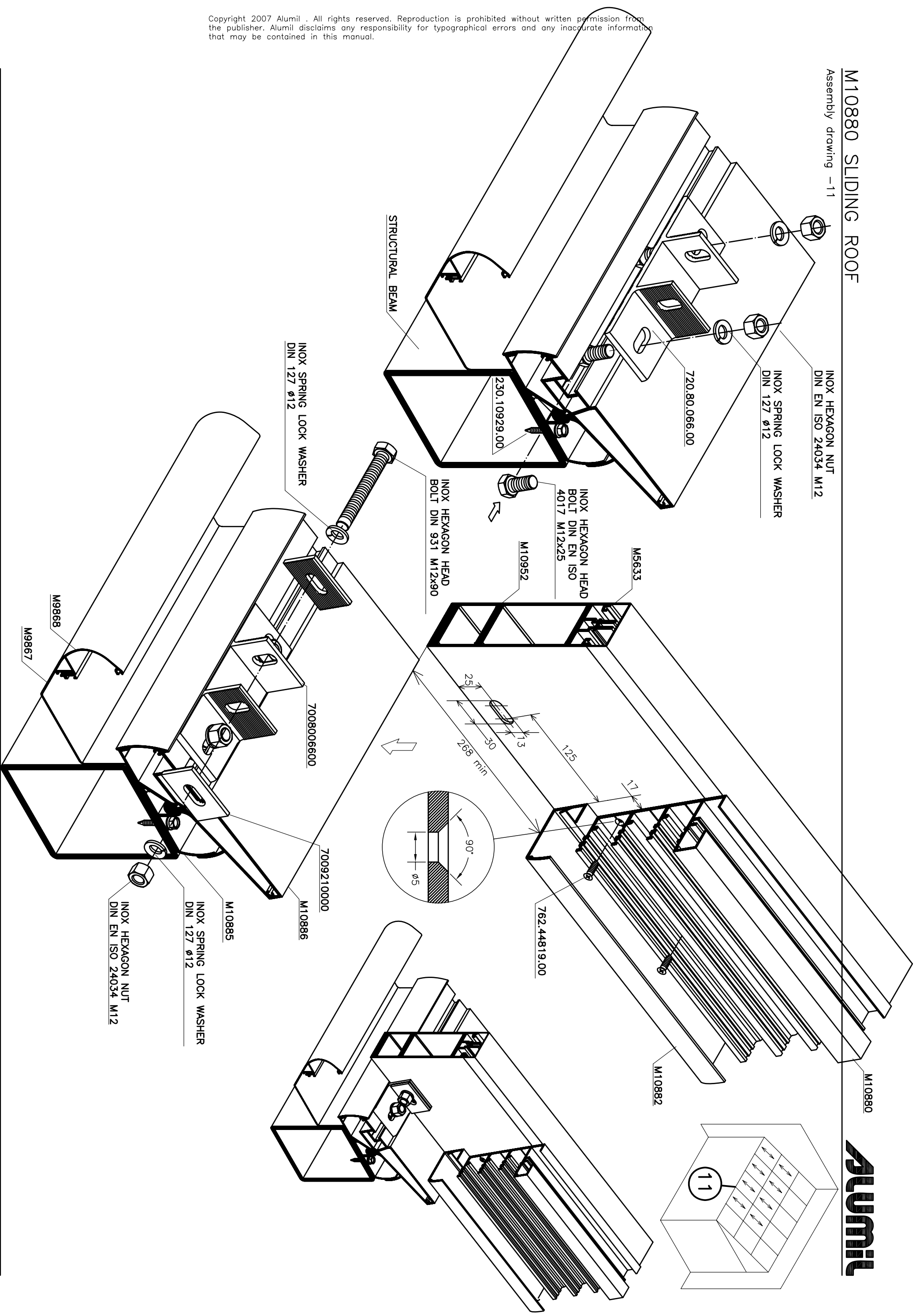
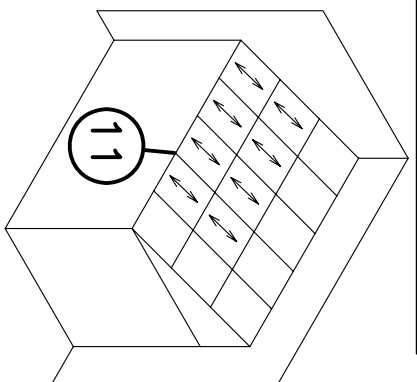
ΚΑΤΑΣΚΕΥΗ/ASSEMBLY

M10880 SLIDING ROOF

Assembly drawing -11



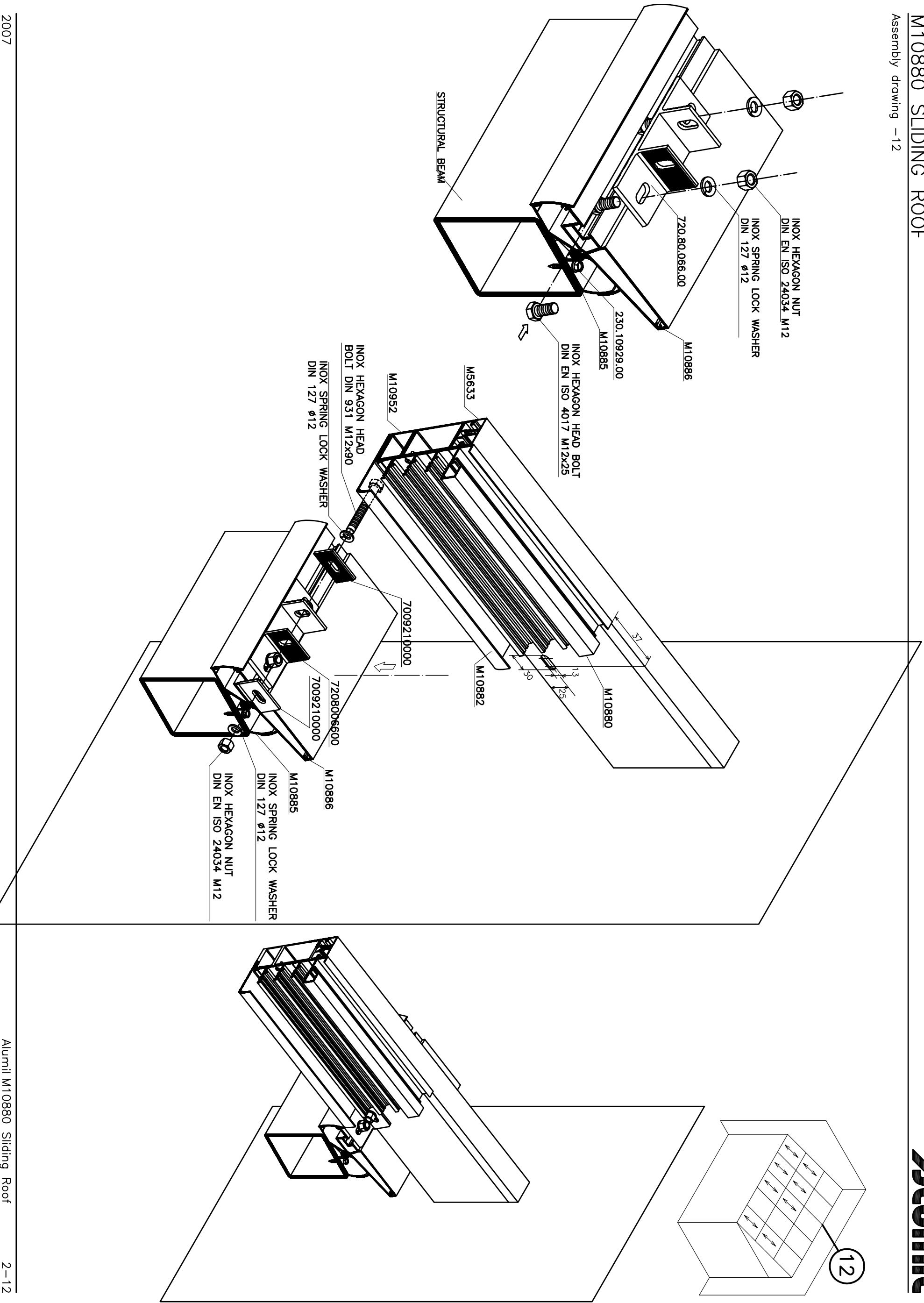
M10880



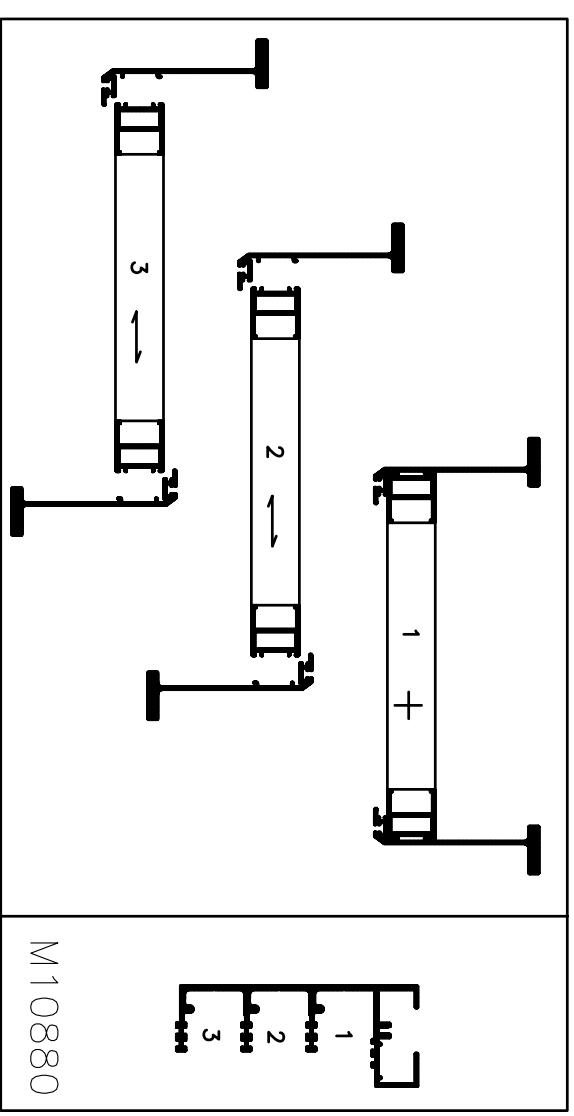
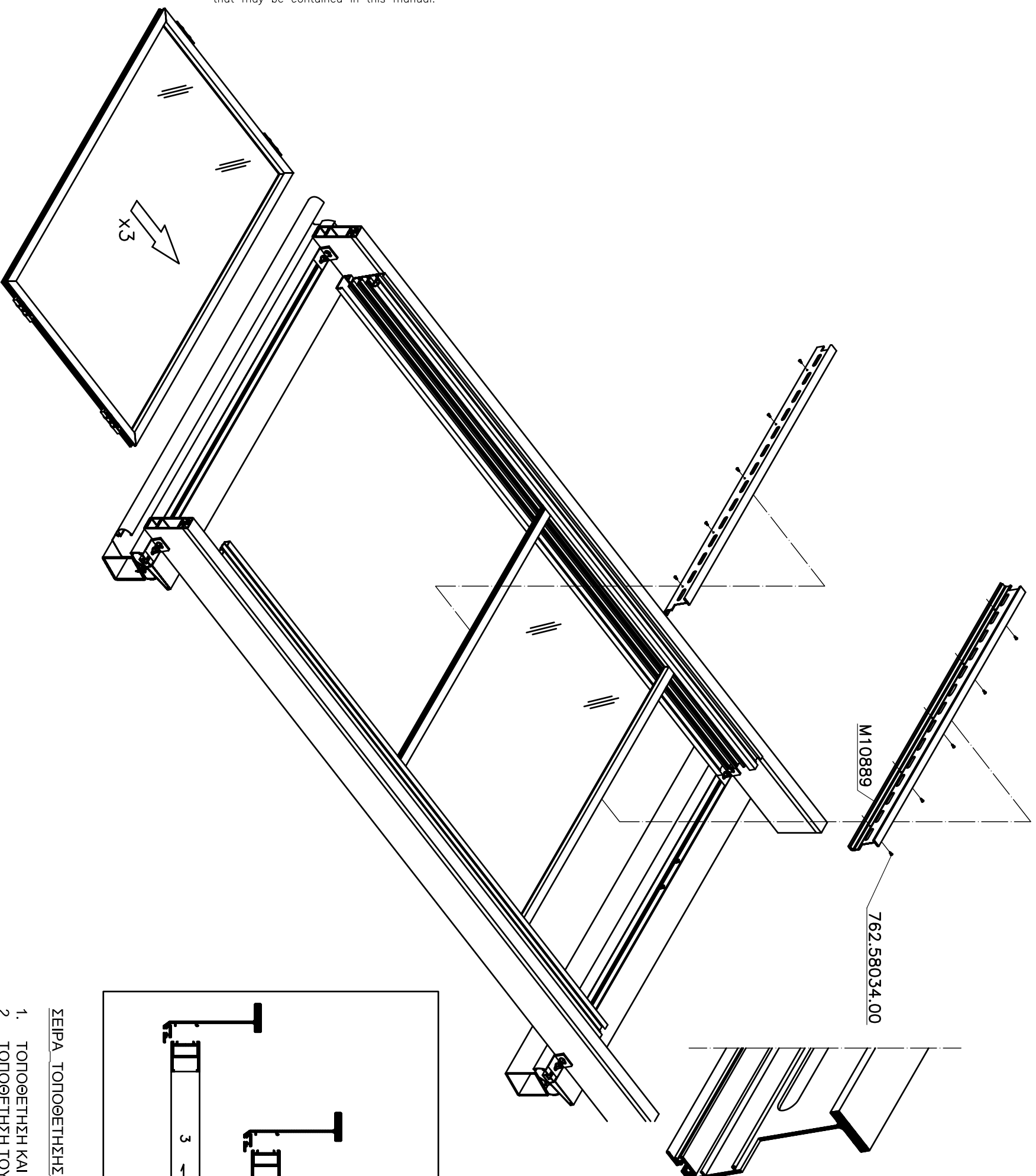
Copyright 2007 Alumil . All rights reserved. Reproduction is prohibited without written permission from the publisher. Alumil disclaims any responsibility for typographical errors and any inaccurate information that may be contained in this manual.

M10880 SLIDING ROOF

Assembly drawing -12



ΚΑΤΕΡΓΑΣΙΑ M10889



ΣΕΙΡΑ ΤΟΠΟΘΕΤΗΣΗΣ ΦΥΛΛΩΝ

1. ΤΟΠΟΘΕΤΗΣΗ ΚΑΙ ΣΤΑΘΕΡΟΠΟΙΗΣΗ ΤΟΥ ΦΥΛΛΟΥ 1 ΜΕ ΤΑ ΠΡΟΦΙΛ ΕΝΙΣΧΥΣΗΣ (M10889)
2. ΤΟΠΟΘΕΤΗΣΗ ΤΟΥ ΦΥΛΛΟΥ 2 ΚΑΙ ΚΑΤΟΠΙΝ ΒΙΔΩΜΑ ΤΩΝ ΠΡΟΦΙΛ ΕΝΙΣΧΥΣΗΣ (M10889)
2. ΤΟΠΟΘΕΤΗΣΗ ΤΟΥ ΦΥΛΛΟΥ 3 ΚΑΙ ΚΑΤΟΠΙΝ ΒΙΔΩΜΑ ΤΩΝ ΠΡΟΦΙΛ ΕΝΙΣΧΥΣΗΣ (M10889)

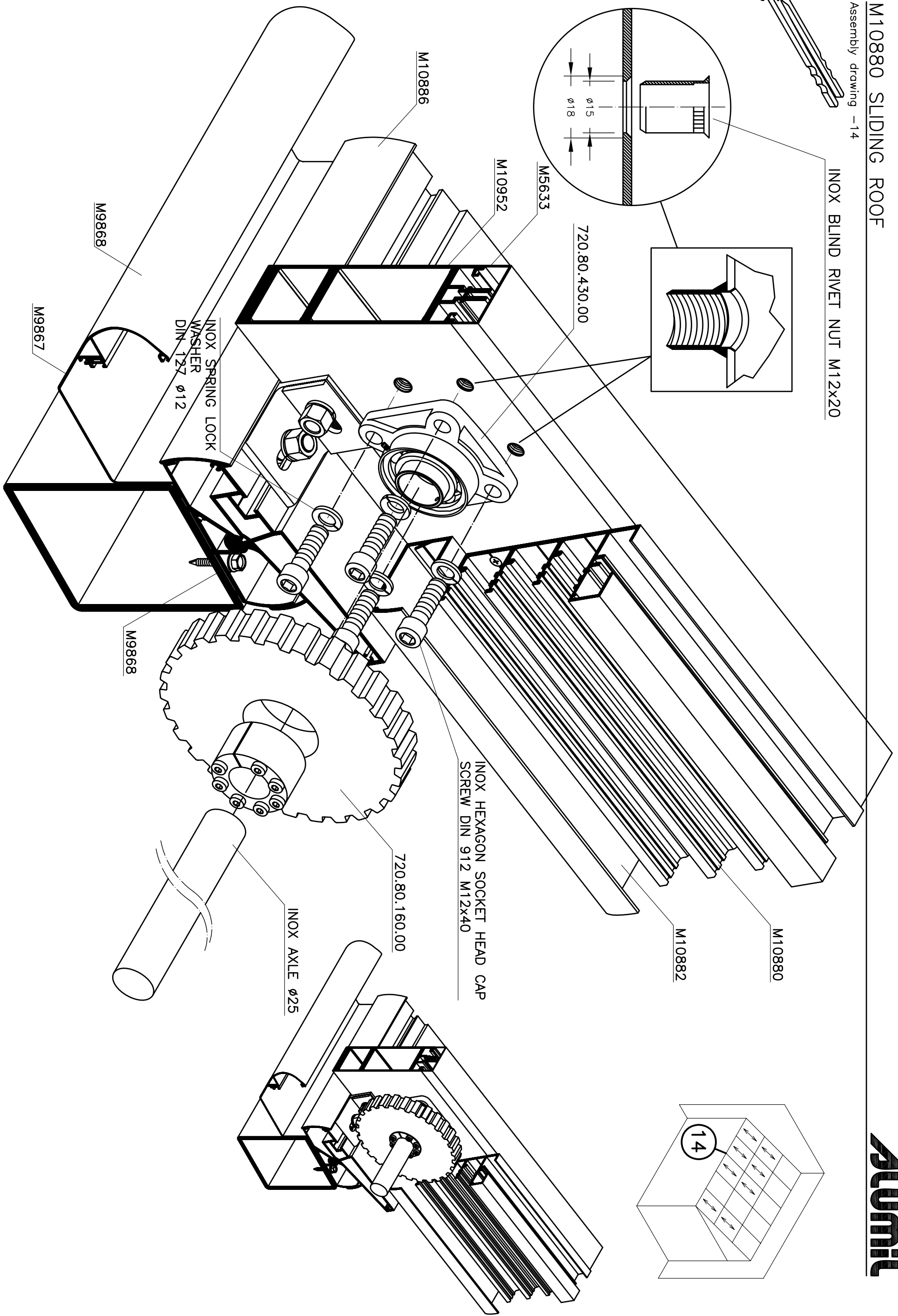
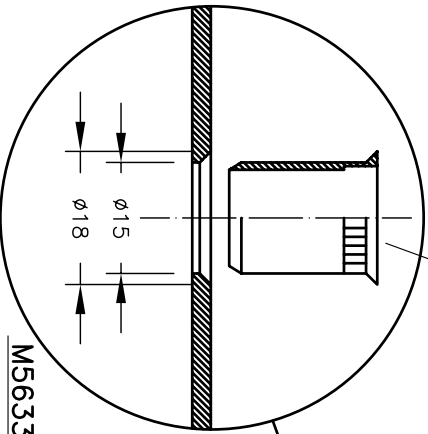
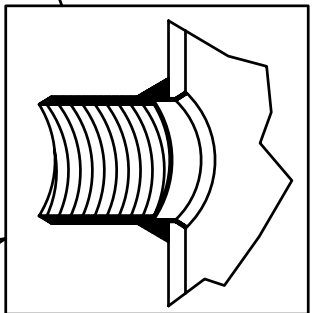
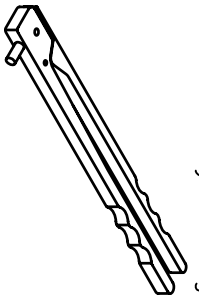
Copyright 2007 Alumil . All rights reserved. Reproduction is prohibited without written permission from the publisher. Alumil disclaims any responsibility for typographical errors and any inaccurate information that may be contained in this manual.

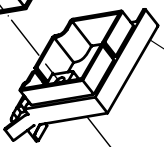
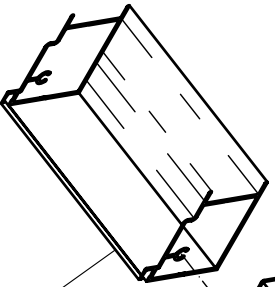
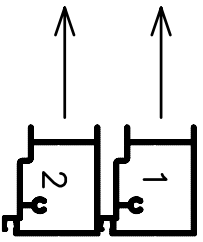
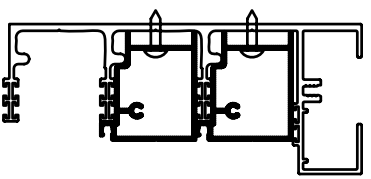
M10880 SLIDING ROOF



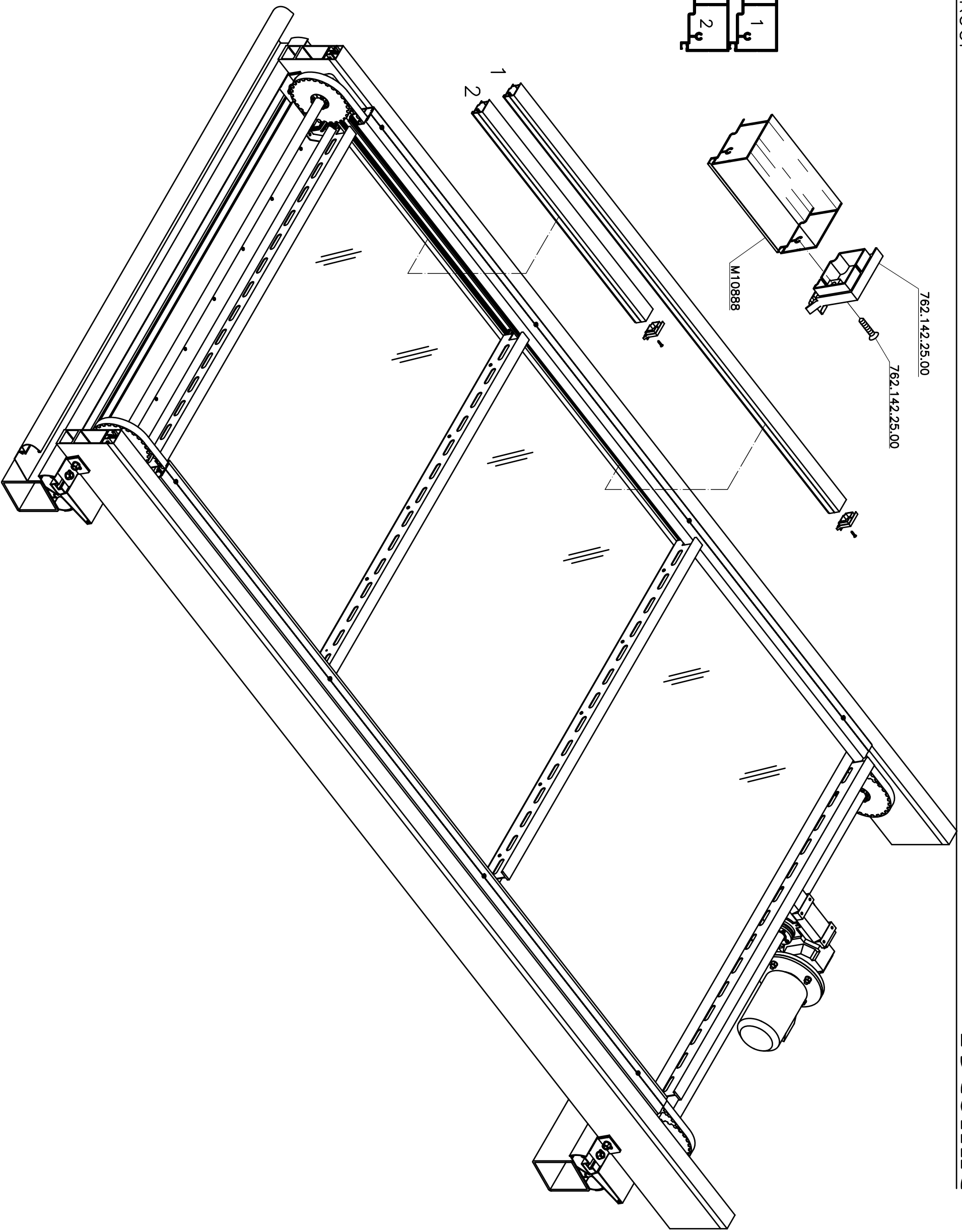
Assembly drawing -14

INOX BLIND RIVET NUT M12x20





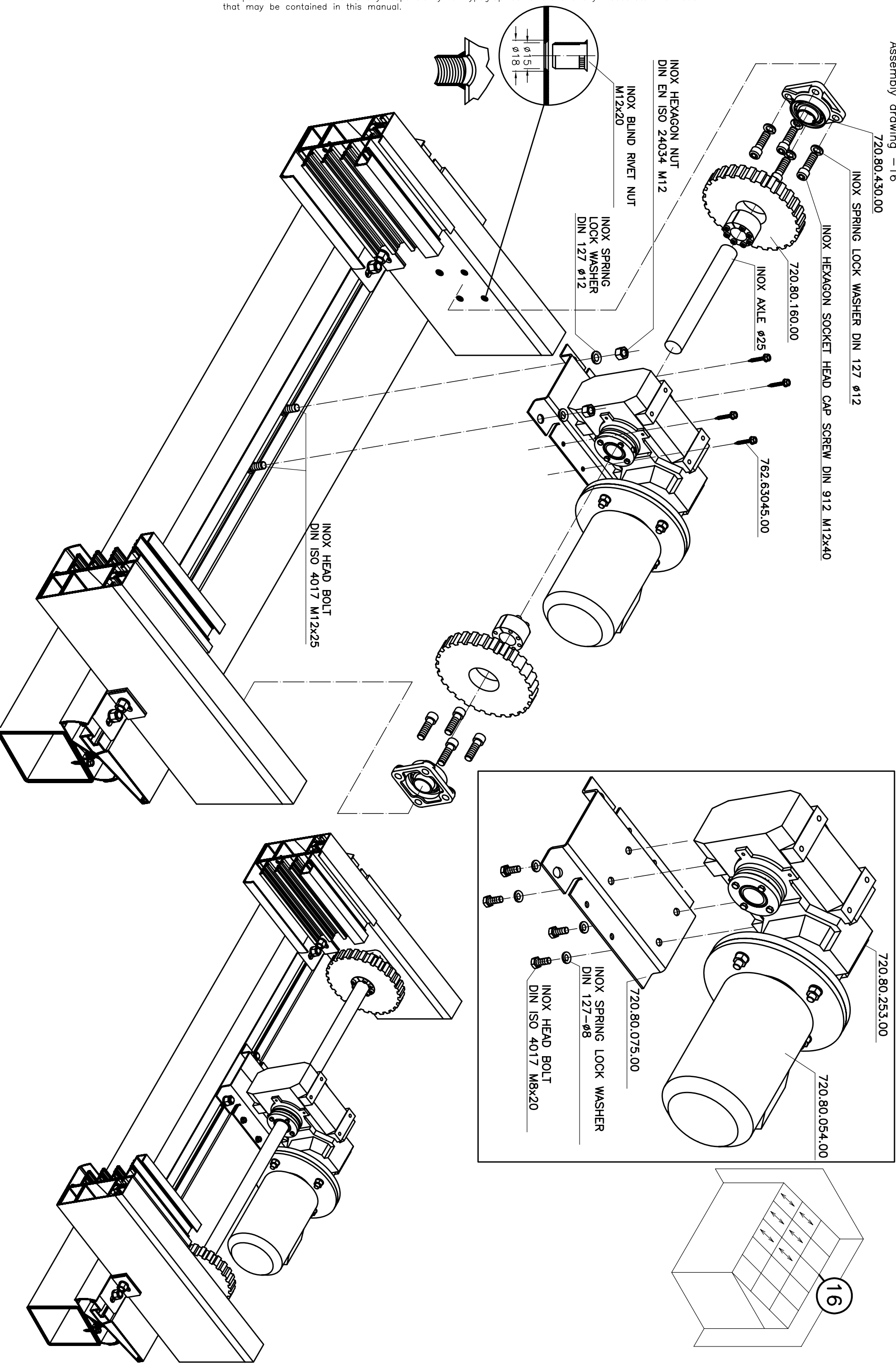
762.142.25.00
762.142.25.00



M10880 SLIDING ROOF

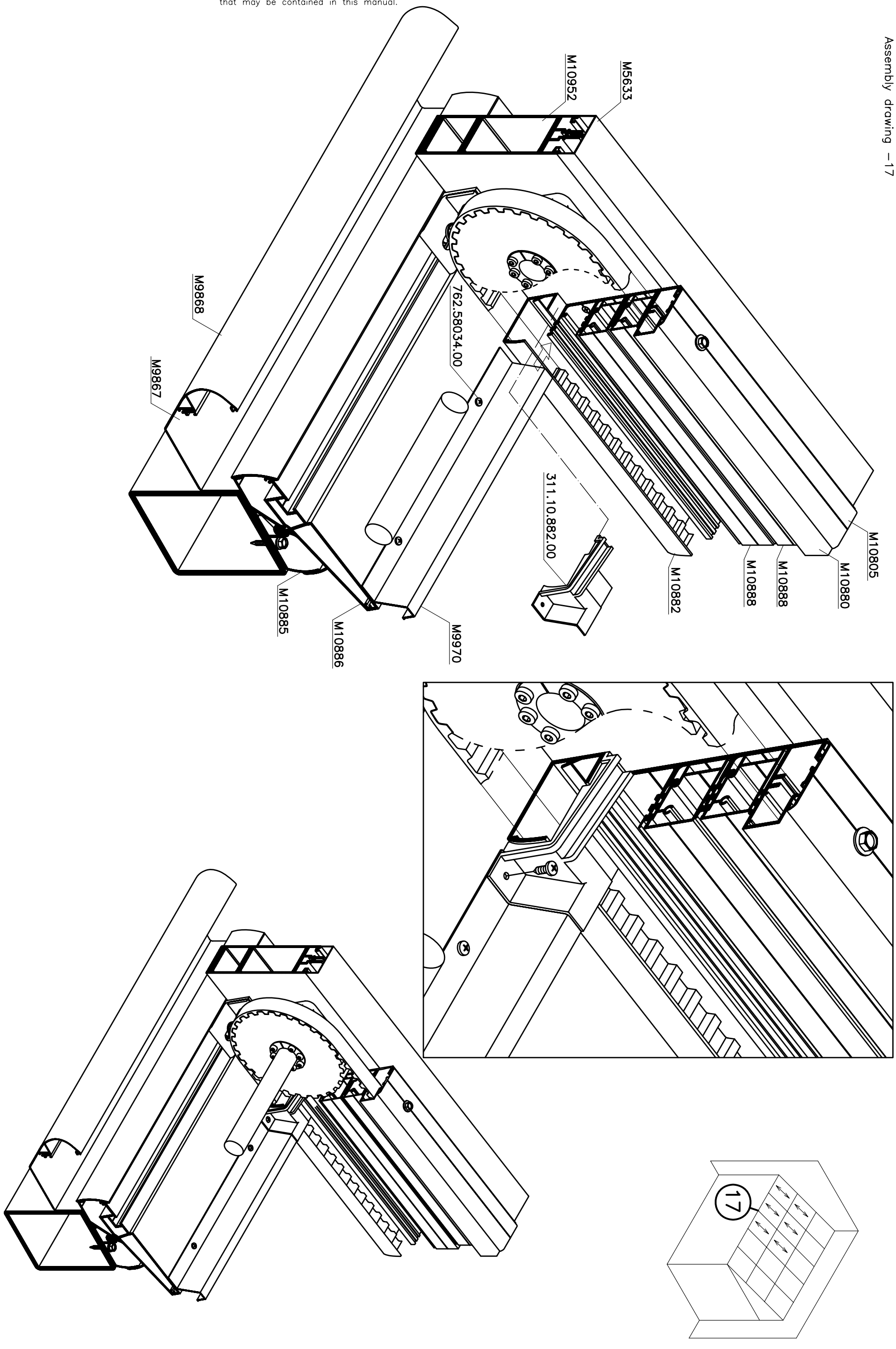


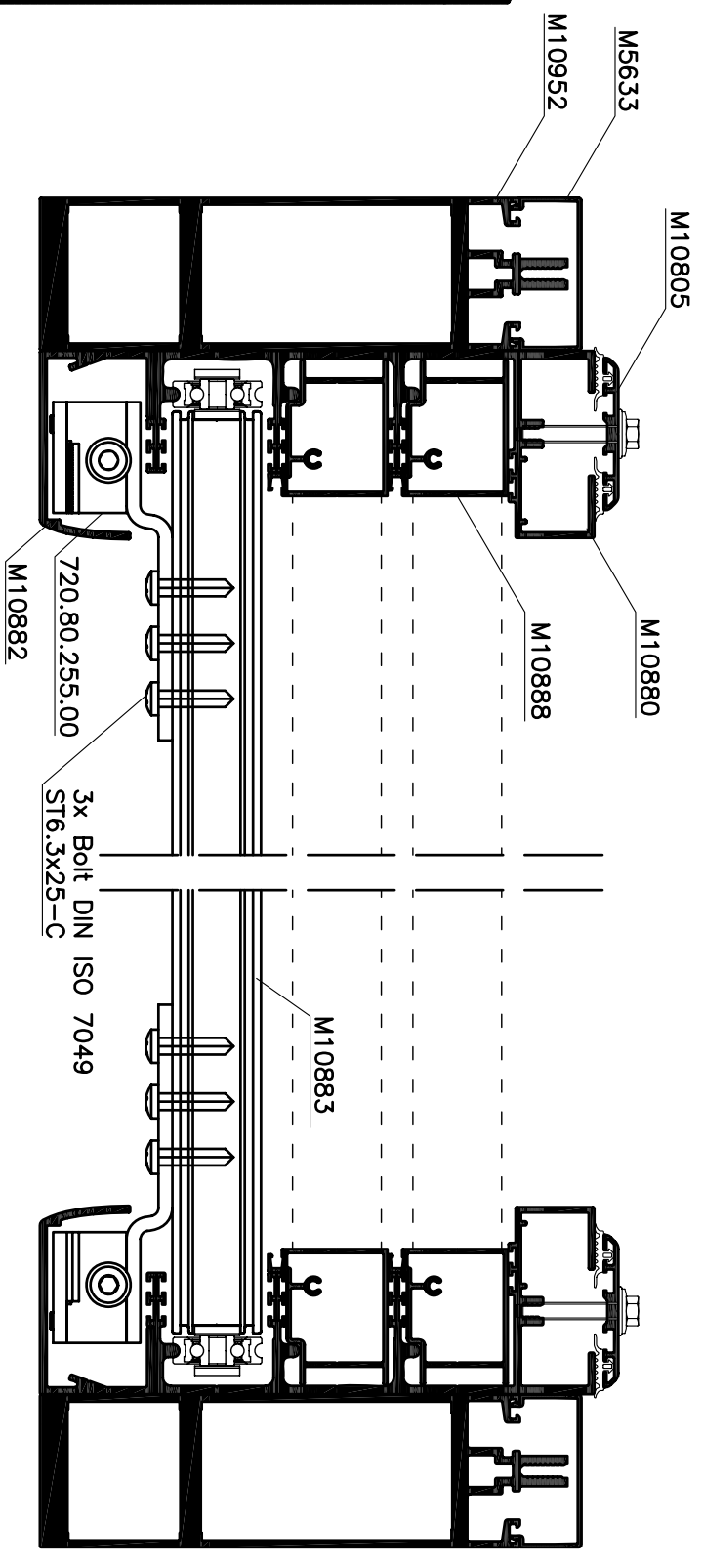
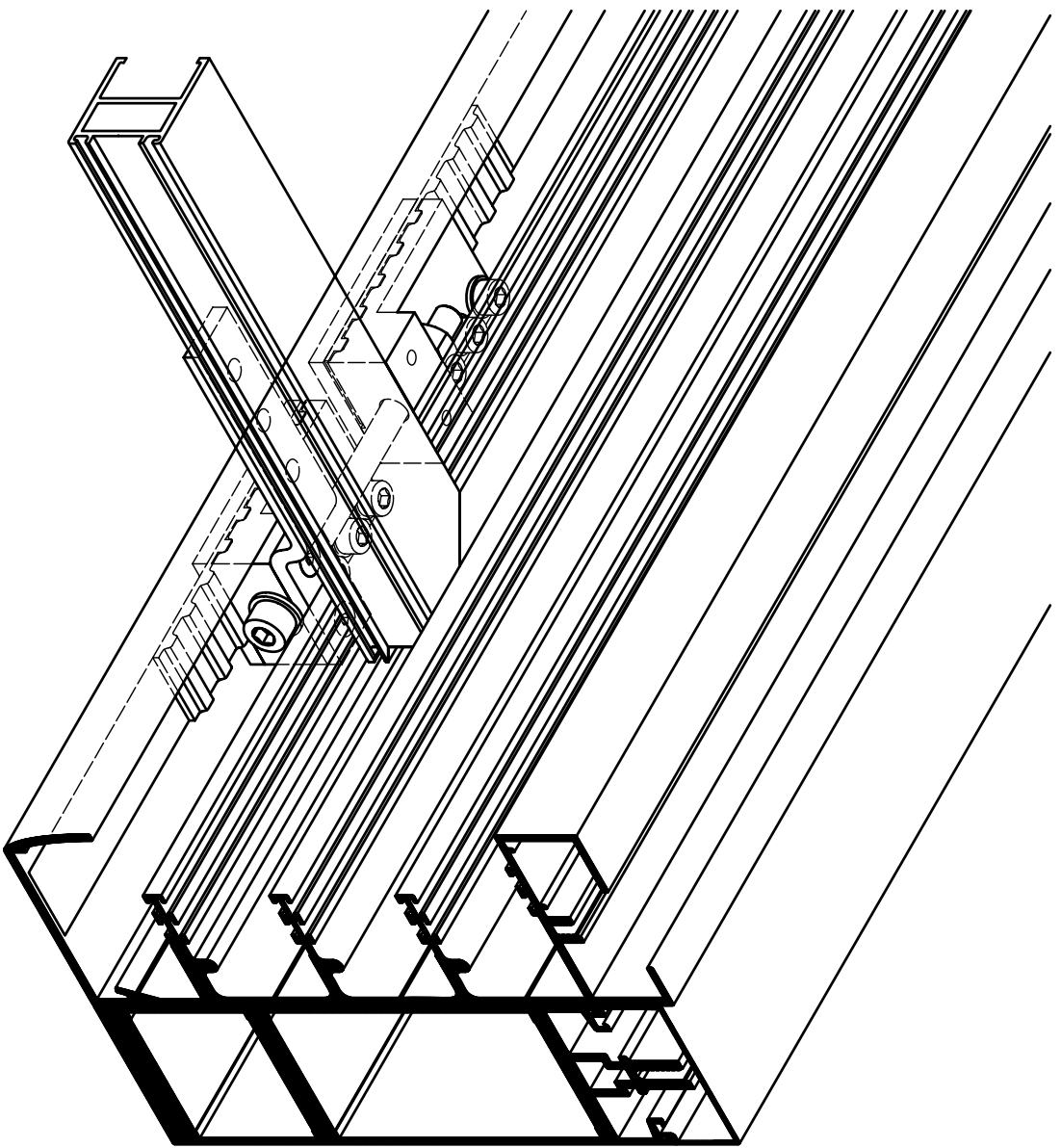
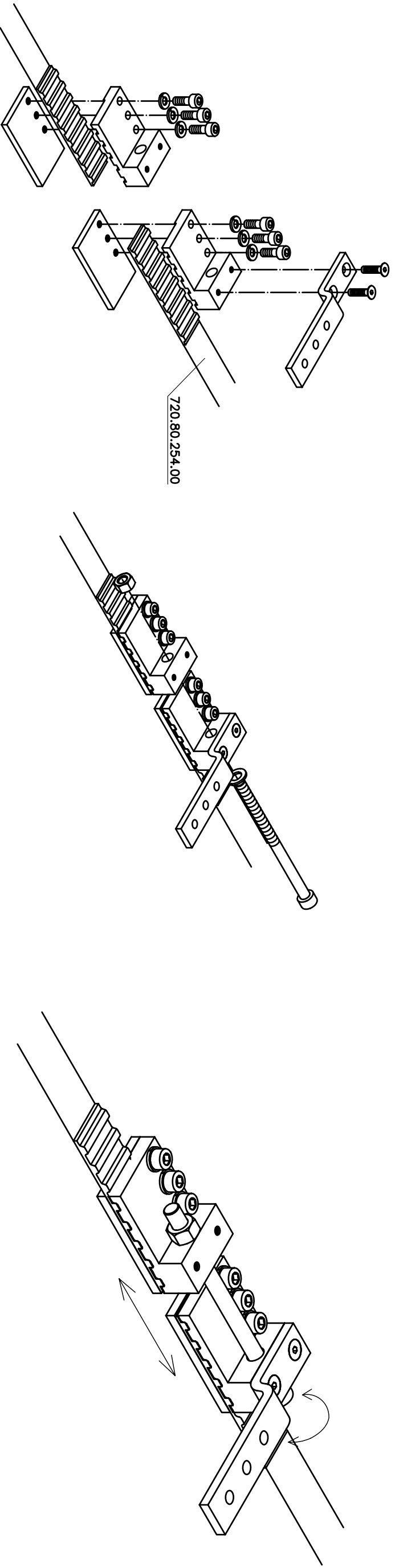
Assembly drawing -16



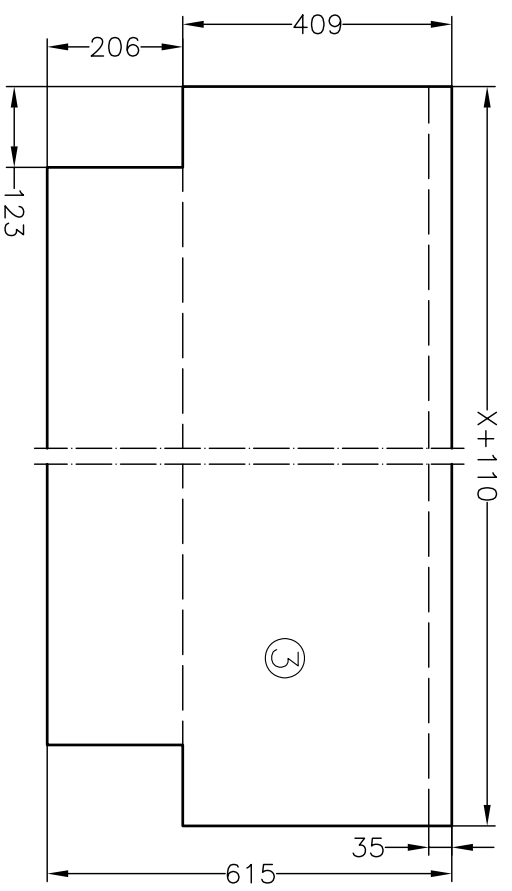
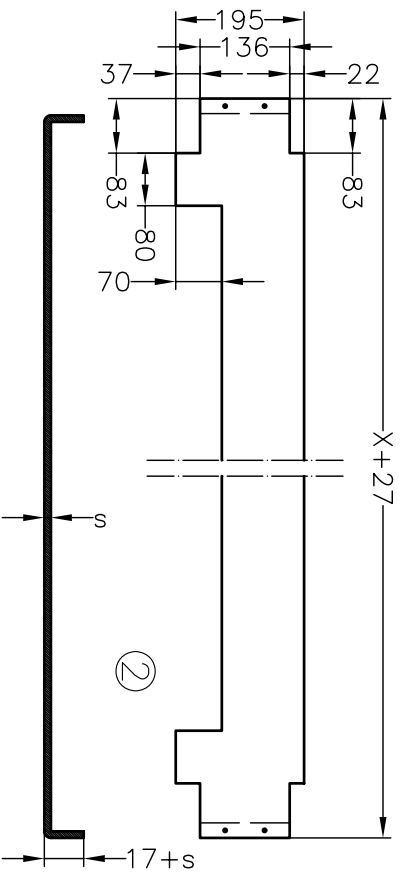
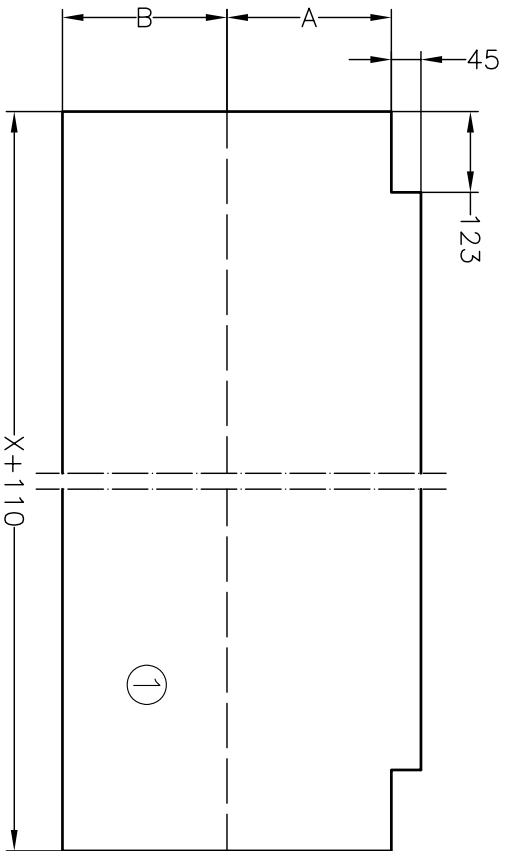
Copyright 2007 Alumil . All rights reserved. Reproduction is prohibited without written permission from the publisher. Alumil disclaims any responsibility for typographical errors and any inaccurate information that may be contained in this manual.

Copyright 2007 Alumil . All rights reserved. Reproduction is prohibited without written permission from the publisher. Alumil disclaims any responsibility for typographical errors and any inaccurate information that may be contained in this manual.

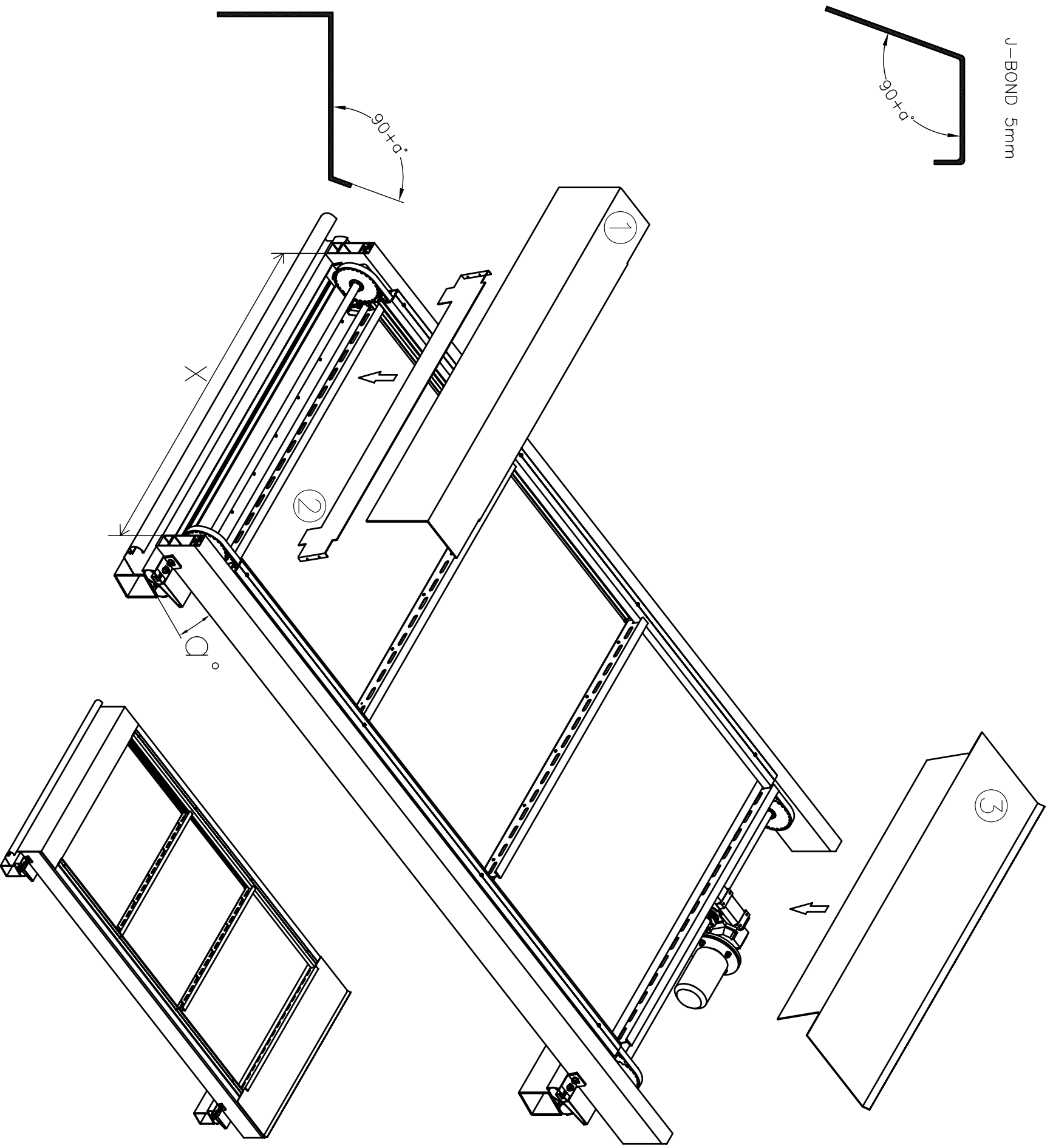
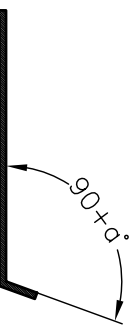
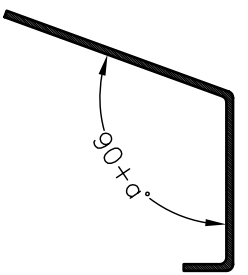




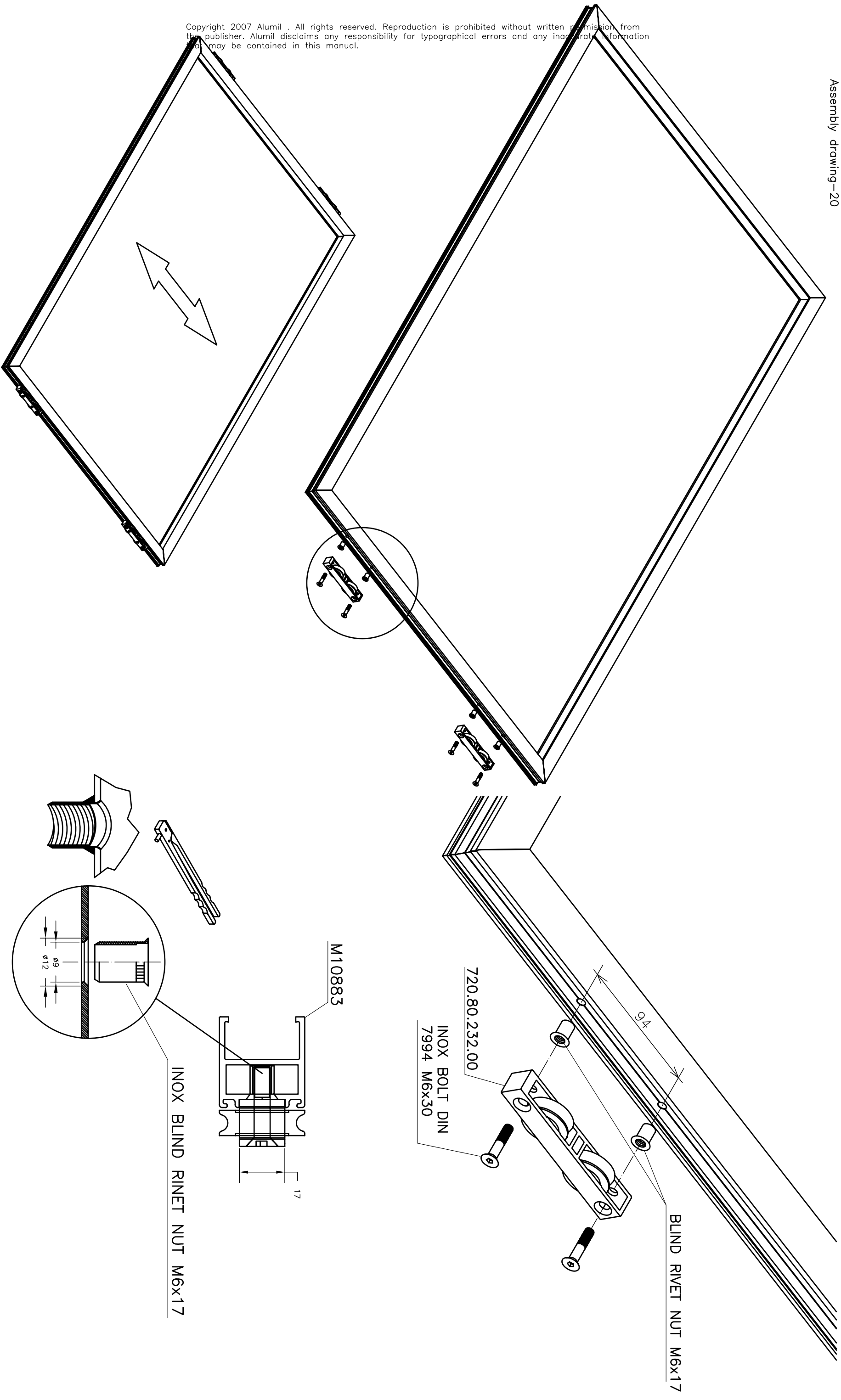
Copyright 2007 Alumil . All rights reserved. Reproduction is prohibited without written permission from the publisher. Alumil disclaims any responsibility for typographical errors and any inaccurate information that may be contained in this manual.



J-BOND 5mm



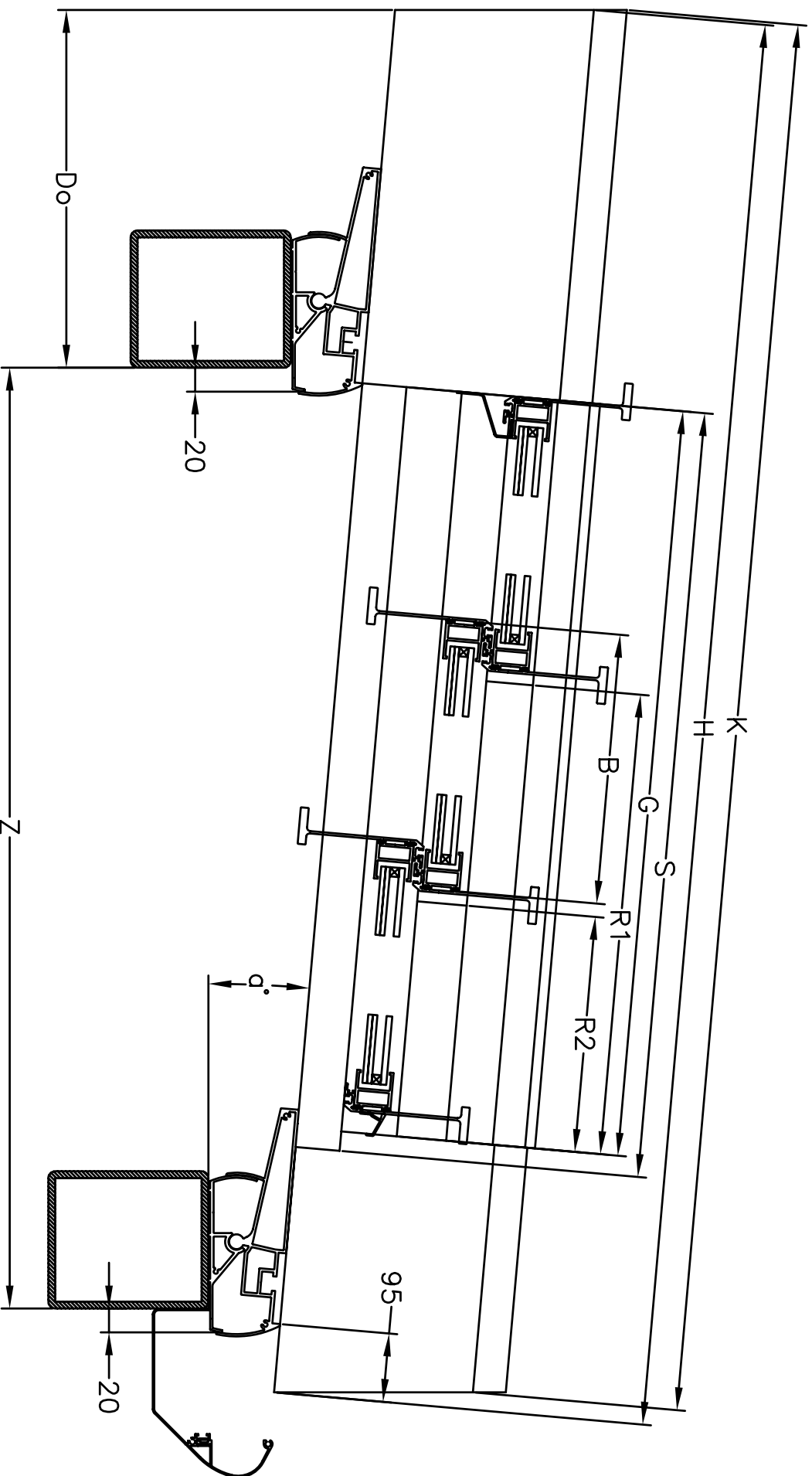
Copyright 2007 Alumil . All rights reserved. Reproduction is prohibited without written permission from the publisher. Alumil disclaims any responsibility for typographical errors and any inaccurate information that may be contained in this manual.



M10880

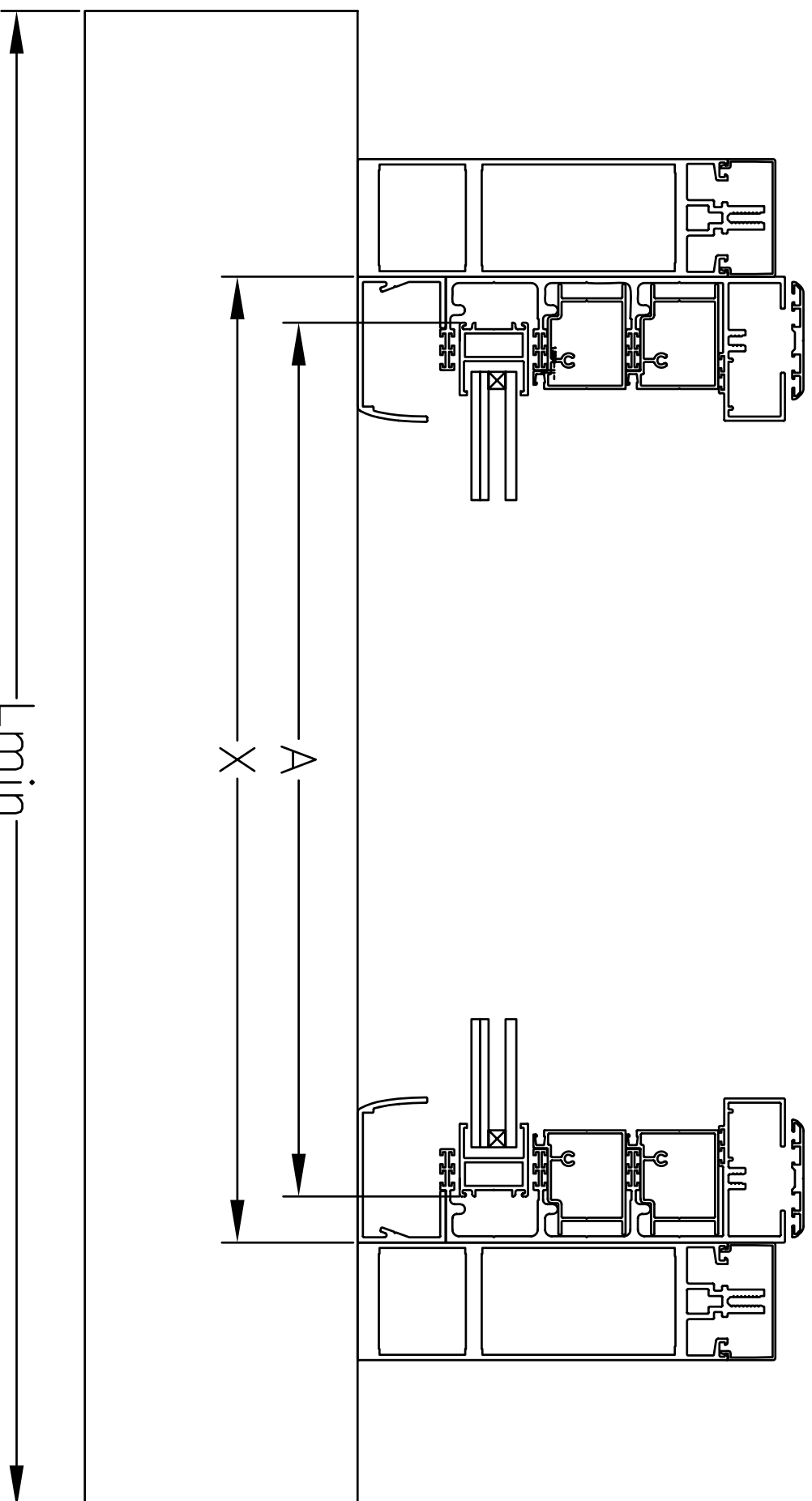
ΜΕΤΡΑ ΚΟΠΗΣ-ΚΑΤΕΡΓΑΣΙΕΣ/
MANUFACTURING & MACHINING

	M10952	M10880	M10882	M10883	M5633	M10805	M10888	M10888	
d'									D_o
5°	$H=475.7+(Z/0.9961)$	$G=H-648.1$	$S=G+17$	$B=(G+59.1)/3$	$K=H-14.5$	G	$R1=G-(B+13)$	$R2=G-(2B-26)$	350
10°	$H=484.7+(Z/0.9848)$	$G=H-657.1$	$S=G+17$	$B=(G+59.1)/3$	$K=H-29$	G	$R1=G-(B+13)$	$R2=G-(2B-26)$	335
15°	$H=496.1+(Z/0.9659)$	$G=H-668.5$	$S=G+17$	$B=(G+59.1)/3$	$K=H-44.1$	G	$R1=G-(B+13)$	$R2=G-(2B-26)$	320
20°	$H=510.3+(Z/0.9396)$	$G=H-682.6$	$S=G+17$	$B=(G+59.1)/3$	$K=H-59.9$	G	$R1=G-(B+13)$	$R2=G-(2B-26)$	305
25°	$H=521.8+(Z/0.9063)$	$G=H-694.2$	$S=G+17$	$B=(G+59.1)/3$	$K=H-76.7$	G	$R1=G-(B+13)$	$R2=G-(2B-26)$	285
30°	$H=542.1+(Z/0.8660)$	$G=H-714.5$	$S=G+17$	$B=(G+59.1)/3$	$K=H-95$	G	$R1=G-(B+13)$	$R2=G-(2B-26)$	270



	M10886	M10885	M9970	M10883	M9867	M9868	M10889	M15117
α								
5°	$L_{min}=X+225$	L_{min}	$F=X-143$	$A=X-43.2$	L_{min}	L_{min}	$Q=X-90$	$E=X-100$
10°	$L_{min}=X+225$	L_{min}	$F=X-143$	$A=X-43.2$	L_{min}	L_{min}	$Q=X-90$	$E=X-100$
15°	$L_{min}=X+225$	L_{min}	$F=X-143$	$A=X-43.2$	L_{min}	L_{min}	$Q=X-90$	$E=X-100$
20°	$L_{min}=X+225$	L_{min}	$F=X-143$	$A=X-43.2$	L_{min}	L_{min}	$Q=X-90$	$E=X-100$
25°	$L_{min}=X+225$	L_{min}	$F=X-143$	$A=X-43.2$	L_{min}	L_{min}	$Q=X-90$	$E=X-100$
30°	$L_{min}=X+225$	L_{min}	$F=X-143$	$A=X-43.2$	L_{min}	L_{min}	$Q=X-90$	$E=X-100$

Copyright 2007 Alumil . All rights reserved. Reproduction is prohibited without written permission from the publisher. Alumil disclaims any responsibility for typographical errors and any inaccurate information that may be contained in this manual.



M10880

ΣΤΑΤΙΚΑ/BUILDING PHYSICS

*ύψος κατασκευής μέχρι 8 μέτρα (w=50kp/m²)
 *υψόμετρο κατασκευής μέχρι 50 μέτρα (s=50kp/m²)

d°	AxB(m)					
	5°	10°	15°	20°	25°	30°
0.6x0.8	1a	1a	1a	1a	1a	1b
	2a	2a	2a	2a	2a	2a
0.6x1.0	1a	1a	1a	1a	1a	1b
	2a	2a	2a	2a	2a	2a
0.6x1.2	1c	1c	1c	1c	1c	1a
	2a	2a	2a	2a	2b	2a
0.6x1.6	1c	1c	1c	1c	1c	1a
	2b	2b	2b	2b	2b	2a
0.6x2.0	1d	1d	1d	1d	1d	1a
	2b	2b	2b	2b	2b	2a
0.8x0.8	1a	1a	1a	1a	1a	1b
	2a	2a	2a	2a	2a	2a
0.8x1.0	1d	1d	1d	1d	1d	1a
	2b	2b	2b	2b	2b	2a
0.8x1.2	1e	1e	1e	1e	1f	1c
	2a	2a	2a	2a	2a	2a
0.8x1.6	1g	1g	1g	1g	1g	1d
	2b	2b	2b	2b	2b	2b
0.9x1.0	1d	1d	1d	1d	1d	1a
	2b	2b	2b	2b	2b	2a
0.9x1.2	1f	1f	1f	1f	1f	1c
	2b	2b	2b	2b	2b	2b
0.9x1.6	*	*	*	*	*	1e
1.0x1.0	1e	1e	1e	1e	1a	1a
	2b	2b	2b	2b	2b	2a
1.0x1.2	1g	1g	1g	1g	1g	1c
	2b	2b	2b	2b	2b	2b
1.2x1.2	1g	1g	1g	1g	1g	1d
	2b	2b	2b	2b	2b	2b

πίνακας 1

*ύψος κατασκευής από 8-20 μέτρα (w=80kp/m²)
 *υψόμετρο κατασκευής μέχρι 50 μέτρα (s=50kp/m²)

d°	AxB(m)					
	5°	10°	15°	20°	25°	30°
0.6x0.8	1a	1c	1c	1c	1c	1c
	2a	2a	2a	2a	2a	2a
0.6x1.0	1d	1d	1d	1d	1d	1d
	2b	2b	2b	2b	2b	2b
0.6x1.2	1e	1e	1e	1e	1a	1a
	2b	2b	2b	2b	2a	2a
0.6x1.6	1f	1f	1f	1f	1c	1c
	2b	2b	2b	2b	2b	2b
0.6x2.0	1f	1f	1f	1f	1c	1c
	2b	2b	2b	2b	2b	2b
0.8x0.8	1c	1c	1c	1c	1c	1a
	2b	2b	2b	2b	2b	2a
0.8x1.0	1f	1f	1f	1f	1c	1c
	2b	2b	2b	2b	2b	2b
0.8x1.2	1g	1g	1g	1g	1e	1e
	2b	2b	2b	2b	2b	2b
0.8x1.6	*	*	*	*	1f	1f
0.9x1.0	1g	1g	1g	1g	1g	1c
	2b	2b	2b	2b	2b	2b
0.9x1.2	*	*	*	*	*	1e
0.9x1.6	*	*	*	*	*	1g
1.0x1.0	1g	1g	1g	1g	1d	1d
	2b	2b	2b	2b	2b	2b
1.0x1.2	*	*	*	*	*	1f
1.2x1.2	*	*	*	*	*	1g

πίνακας 2

*ύψος κατασκευής από 8-20 μέτρα (w=80kp/m²)
 *υψόμετρο κατασκευής μέχρι 1200 μέτρα (w=100kp/m²)

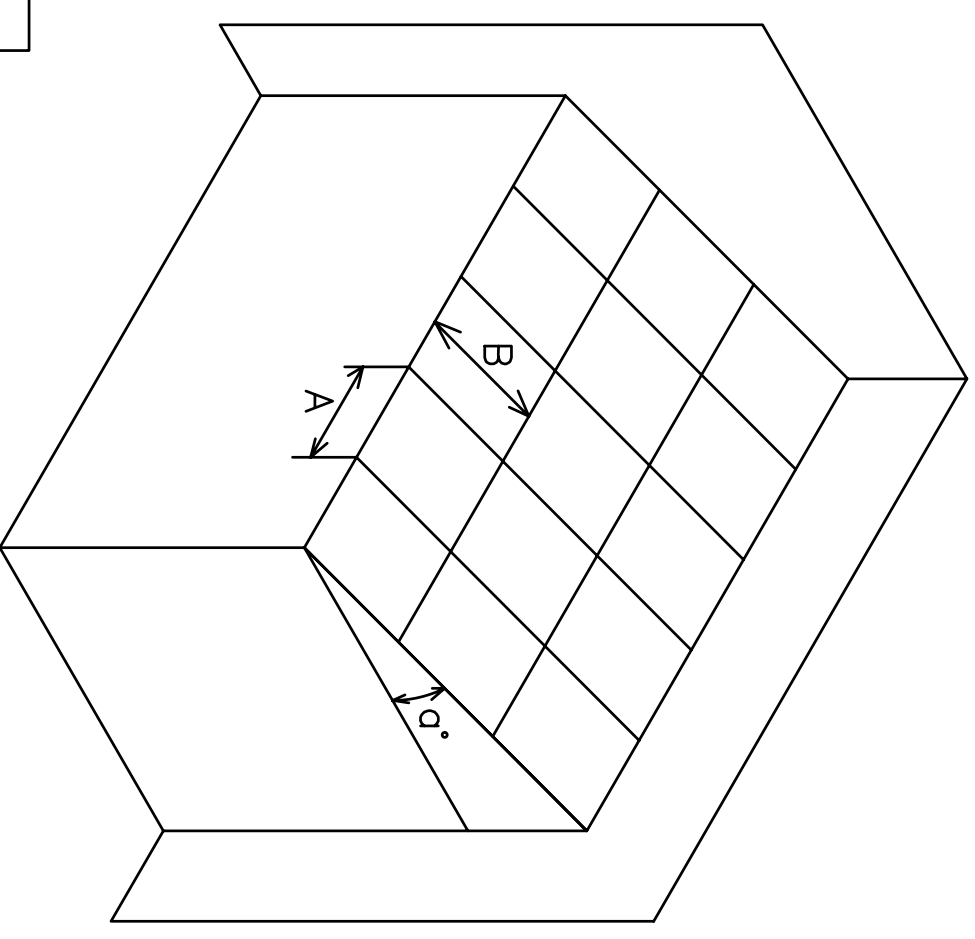
d°	AxB(m)					
	5°	10°	15°	20°	25°	30°
0.6x0.8	1e	1e	1e	1c	1c	1c
	2b	2b	2b	2b	2b	2b
0.6x1.0	1g	1g	1g	1f	1e	1e
	2b	2b	2b	2b	2b	2b
0.6x1.2	*	1g	1g	1g	1g	1f
0.6x1.6	*	*	*	*	1g	1g
0.6x2.0	*	*	*	*	*	*
0.8x0.8	1g	1f	1f	1e	1d	1d
	2b	2b	2b	2b	2b	2b
0.8x1.0	*	*	*	*	1g	1g
0.8x1.2	*	*	*	*	*	*
0.8x1.6	*	*	*	*	*	*
0.9x1.0	*	*	*	*	*	*
0.9x1.2	*	*	*	*	*	*
0.9x1.6	*	*	*	*	*	*
1.0x1.0	*	*	*	*	*	*
1.0x1.2	*	*	*	*	*	*
1.2x1.2	*	*	*	*	*	*

πίνακας 3

Παράδειγμα: Για μια κατασκευή οροφής που βρίσκεται σε ύψος 5 μέτρων και σε τοποθεσία με μικρό υψόμετρο. (μικρή χιονόπτωση), για κλίση οροφής 15 μοίρες και μέγιστο άνοιγμα 1x1 μέτρο, θα χρησιμοποιηθούν υαλοπίνακες τύπου 1e ή 2b, σύμφωνα με τον πίνακα 1

* Δεν είναι επιτρεπτό
 w=άνεμοποίηση, s=βάρος χιονιού

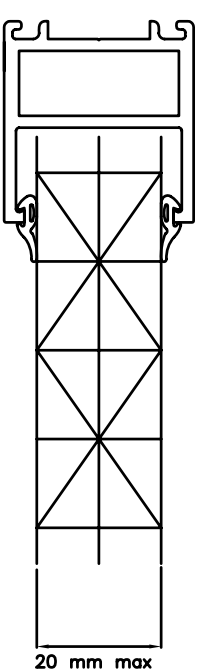
τύπος 1	τύπος 2	
<p>ΕΞΟ ΜΕΣΑ</p> <p>ΥΑΛΩΣΗ</p> <p>1a. 4-8-3+3 1b. 3-8-3+3 1c. 5-8-3+3 1d. 4-8-4+4 1e. 6-8-3+3 1f. 5-6-4+4 1g. 6-6-4+4</p>	<p>ΕΞΟ ΜΕΣΑ</p> <p>ΥΑΛΩΣΗ</p> <p>2a. 3+3-8-3+3 2b. 3+3-6-4+4</p>	<p>20 mm max</p>



ΠΡΟΤΕΙΝΟΜΕΝΟ ΜΕΓΙΣΤΟ ΑΝΟΙΓΜΑΤΩΝ ΒΑΣΗ ΦΟΡΤΙΟΥ ΣΕ daN/m²

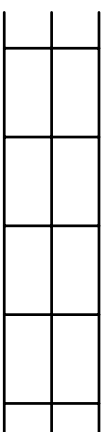
16 mm

B (m)	A (m)				
	1.2	1.0	0.9	0.8	0.6
1.0	105	135	150	175	280
1.5	70	135	140	150	170
2.0	70	130	135	140	150
2.5	70	110	120	130	140
3.0	60	90	120	130	140

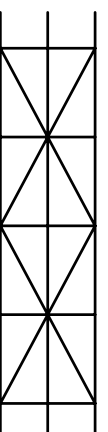


16mm RDC

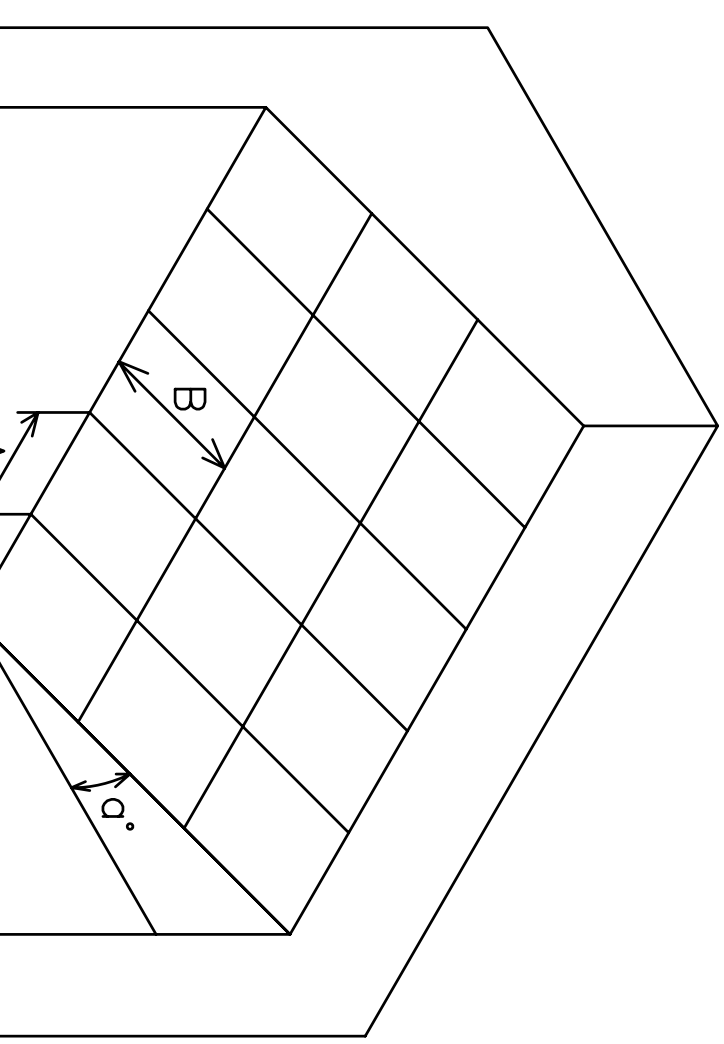
B (m)	A (m)				
	1.2	1.0	0.9	0.8	0.6
1.0	65	140	160	200	290
1.5	60	140	155	180	240
2.0	60	130	135	150	180
2.5	50	90	95	100	160
3.0	50	70	70	100	140



EUROCARB 16-20mm



EUROCARB 16-20mm (RDC)



20mm

B (m)	A (m)				
	1.2	1.0	0.9	0.8	0.6
1.0	100	120	140	200	280
1.5	90	110	115	180	230
2.0	70	100	115	160	220
2.5	70	90	110	140	210
3.0	65	90	105	135	180

20mm (RDC)

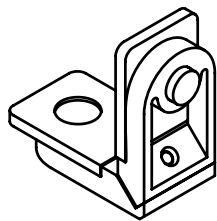
B (m)	A (m)				
	1.2	1.0	0.9	0.8	0.6
1.0	110	150	170	200	280
1.5	70	140	150	185	240
2.0	60	135	140	155	180
2.5	50	90	95	100	170
3.0	50	70	70	100	150

M10880

ΕΞΑΡΤΗΜΑΤΑ/ACCESSORIES

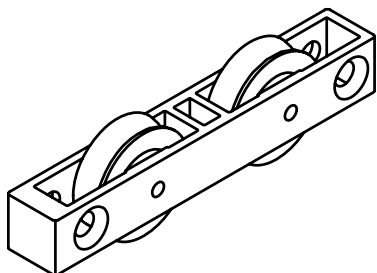
140.11.260.00

ΓΩΝΙΑ ΣΥΝΔΕΣΗΣ/SCREW CORNER



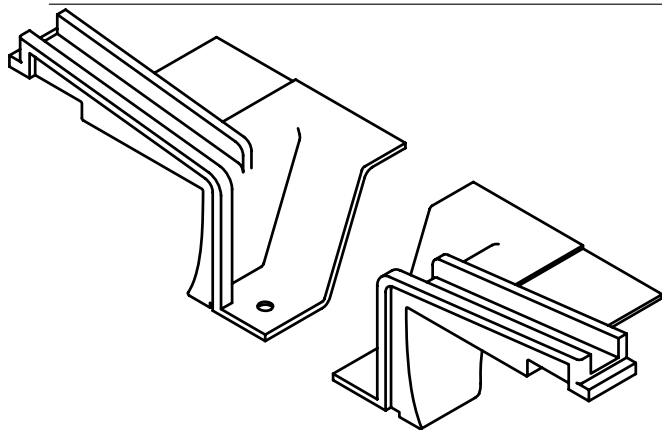
720.80.232.00

ΡΑΟΥΛΟ ΔΙΠΛΟ/DOUBLE ROLLERS



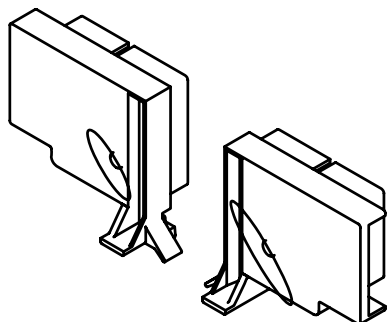
311.10.882.00

ΤΑΠΑ ΝΕΡΟΧΥΤΗ/END COVER



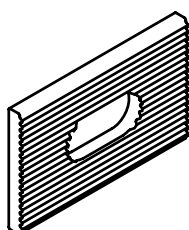
311.10.888.00

ΤΑΠΑ ΠΛΑΙΝΟΥ/END COVER



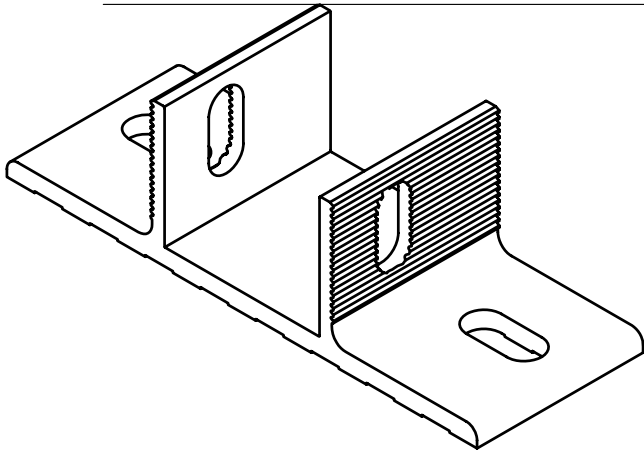
7009210000

ΛΑΜΑ ΑΓΚΥΡΩΣΗΣ/FASTENING PLATE



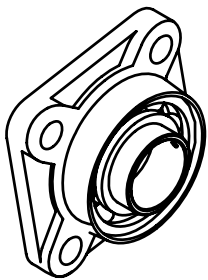
720.80.066.00

Π-ΑΓΚΥΡΩΣΗΣ/FASTENING BRACKET



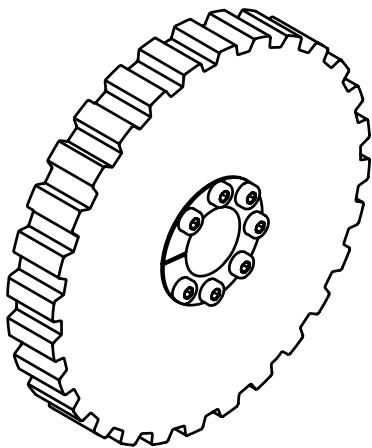
720.80.430.00

ΕΔΡΑΝΟ/BEARING UNIT



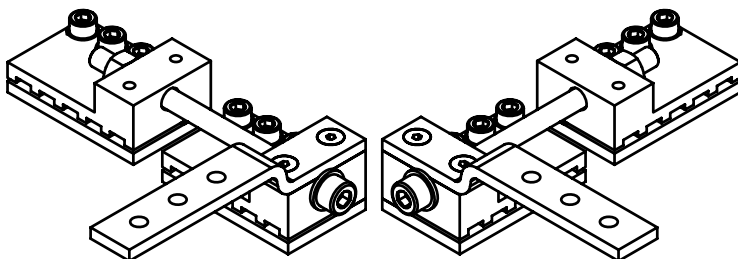
720.80.160.00

ΤΡΟΧΑΛΙΑ ΙΜΑΝΤΑ/BELT PULLEY



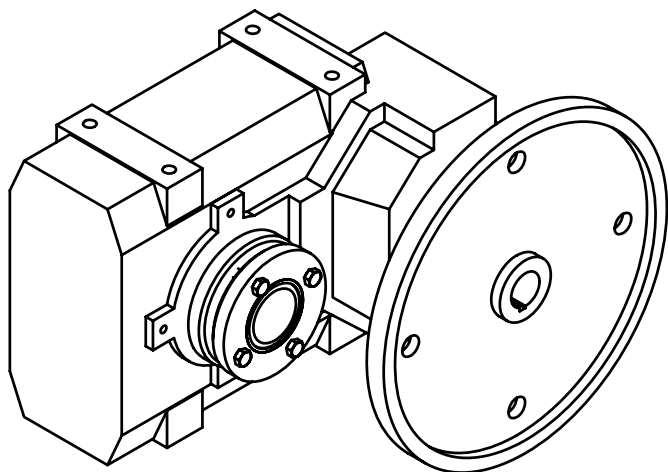
720.80.255.00

ΕΞΑΡΤΗΜΑ ΣΥΝΔΕΣΗΣ-ΤΑΝΥΣΗΣ ΙΜΑΝΤΑ/
BELT MOUNTING-TIGHTENING ACCESSORY



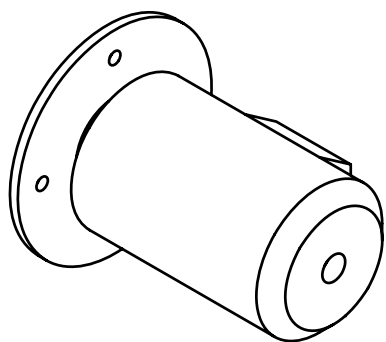
720.80.253.00

ΜΕΙΩΤΗΡΑΣ ΚΙΝΗΤΗΡΑ/GEAR REDUCER



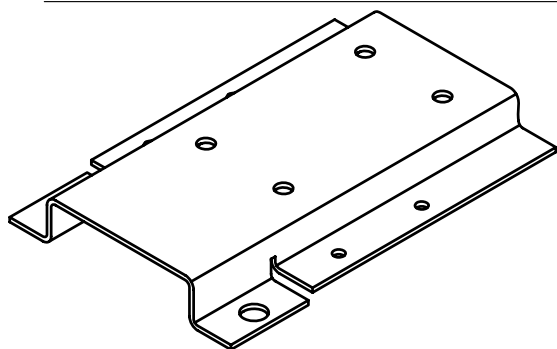
720.80.054.00

ΚΙΝΗΤΗΡΑΣ/MOTOR



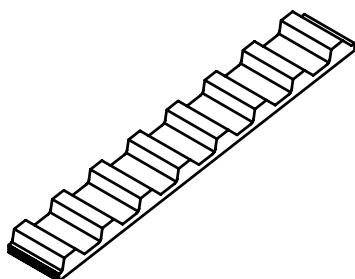
720.80.075.00

ΒΑΣΗ ΚΙΝΗΤΗΡΑ/MOTOR BASE



720.80.254.00

ΙΜΑΝΤΑΣ/OPEN END BELT



ΒΟΥΡΤΣΑΚΙΑ-ΛΑΣΤΙΧΑ-ΒΙΔΕΣ/BRUSHES-GASKETS-SCREWS



620.03006.03



240.81000.00



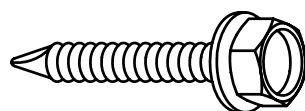
250.62000.01



230.10929.00



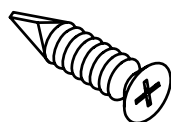
200.05304.00



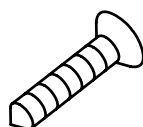
762.63045.00



762.58034.00



762.44819.00



762.14225.00